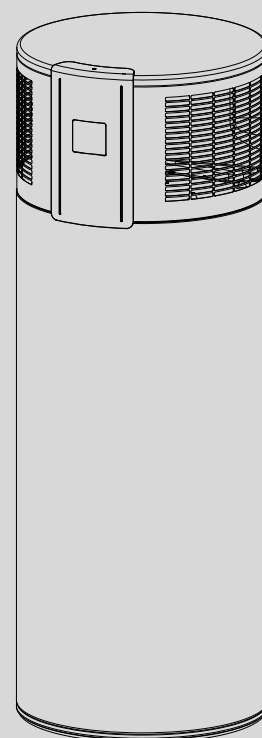


OPERATION AND INSTALLATION

DHW heat pump

- » WWK 222
- » WWK 222 H
- » WWK 302
- » WWK 302 H



STIEBEL ELTRON

CONTENTS

SPECIAL INFORMATION

OPERATION

1. General information	4
1.1 Safety instructions	4
1.2 Other symbols in this documentation	4
1.3 Units of measurement	4
2. Safety	4
2.1 Intended use	4
2.2 General safety instructions	5
2.3 Test symbols	6
3. Appliance description	6
3.1 Heat pump operating principle	6
3.2 DHW heating	6
3.3 Appliance operation outside the application limits	7
3.4 Frost protection	7
3.5 Minimum runtime and minimum pause time	7
3.6 Connection of an external signal transmitter	8
4. Settings	8
4.1 Emergency shutdown	8
4.2 Weatherproof cover	8
4.3 Display and operating controls	9
4.4 Adjusting the settings	10
4.5 "Rapid heat-up" button	13
5. Cleaning, care and maintenance	14
5.1 Protective anode and battery change	14
6. Troubleshooting	14

INSTALLATION

7. Safety	17
7.1 General safety instructions	17
7.2 Instructions, standards and regulations	17
8. Appliance description	17
8.1 Standard delivery	17
8.2 Required accessories	17
8.3 Additional accessories	17
8.4 Incorrect use	17
9. Preparation	17
9.1 Transport	17
9.2 Storage	18
9.3 Installation site	18
9.4 Siting the appliance	19
10. Installation	20
10.1 Water connection	20
10.2 Condensate drain	21
10.3 Electrical connection	22
10.4 Assembling the appliance	24
11. Commissioning	25
11.1 Initial start-up	25
11.2 Recommissioning	25
12. Settings	26
13. Appliance shutdown	28
14. Troubleshooting	28
14.1 Fault codes	29
14.2 Resetting the safety pressure limiter	30

14.3 WWK 222 H / WWK 302 H: Resetting the high limit safety cut-out	30
14.4 Motor overload relay	30
15. Maintenance	30
15.1 Removing the appliance cover	30
15.2 Removing the casing ring	31
15.3 Cleaning the evaporator	31
15.4 Draining the cylinder	31
15.5 Descaling the electric emergency/booster heater	32
15.6 Valves	32
15.7 Condensate drain	32
15.8 Replacing the power cable	32
15.9 Fitting the casing ring	32
15.10 Protective anode and battery change	32
15.11 Fitting the appliance cover	33
16. Specification	34
16.1 Dimensions and connections	34
16.2 Wiring diagram	36
16.3 Fault conditions	37
16.4 Data table	38
16.5 Standardised output data	39

GUARANTEE

ENVIRONMENT AND RECYCLING


SPECIAL INFORMATION

- The appliance may be used by children over 8 years of age and persons with reduced physical, sensory or mental capabilities or a lack of experience and expertise, provided that they are supervised or they have been instructed on how to use the appliance safely and have understood the potential risks. Children must never play with the appliance. Cleaning and user maintenance must not be carried out by children without supervision.
- Observe all applicable national and regional regulations and instructions.
- Observe the minimum clearances (see chapter "Installation / Preparations / Siting the appliance").
- Observe the requirements concerning the installation room (see "Specification / Data table").
- The appliance is supplied with a flexible power cable without plug. In the case of a permanent connection, the appliance must be able to be separated from the power supply by an isolator that disconnects all poles with at least 3 mm contact separation. Contactors, circuit breakers or fuses can be used for this. This type of isolator must be installed in the fixed electrical installation according to the regulations. For Australia: Ensure that the appliance can be separated from the power supply by a suitable isolator. Contactors, circuit breakers, fuses or general purpose power plugs can be used for this. This type of isolator must be installed according to the electrical installation regulations.
- Observe the safety measures to prevent contact with dangerously high contact voltage.
- Observe the fuse protection required for the appliance (see chapter "Specification / Data table").
- If the power cable is faulty, replace it with a new one. The power cable must only be replaced (for example if damaged) by a qualified contractor.
- The appliance is pressurised. During the heat-up process, expansion water will drip from the safety valve.
- Activate the valves at least every 6 months to prevent them from becoming blocked, e.g. by limescale deposits.
- Drain the appliance as described in chapter "Installation / Maintenance and cleaning / Draining the cylinder".
- A T&P valve or a cold water expansion control valve, or both, must be installed. Observe all applicable national and regional regulations and instructions.
- The maximum pressure in the cold water supply line must be at least 20 % below the lowest response pressure of all installed safety valves. Otherwise a pressure reducing valve is required. If this is the case, install a pressure reducing valve in the cold water supply line. The pressure reducing valve must be set to 540 kPa if a safety valve is installed; otherwise to 700 kPa.
- Fit the drain pipe of the safety valve with a constant fall in a room free from the risk of frost.
- Size the drain pipe so that water can drain off unimpeded when the safety valve is fully opened.
- The safety valve drain aperture must remain open to atmosphere.

OPERATION


1. General information

The chapters "Special information" and "Operation" are intended for both users and qualified contractors. The chapter "Installation" is intended for qualified contractors.




 **Note**
Read these instructions carefully before using the appliance and retain them for future reference. Pass on these instructions to a new user if required.

1.1 Safety instructions

1.1.1 Structure of safety instructions

 **KEYWORD Type of risk**
Here, possible consequences are listed that may result from failure to observe the safety instructions.
► Steps to prevent the risk are listed.


1.1.2 Symbols, type of risk



Symbol	Type of risk
	Injury
	Electrocution
	Burns (burns, scalding)

1.1.3 Keywords

KEYWORD	Meaning
DANGER	Failure to observe this information will result in serious injury or death.
WARNING	Failure to observe this information may result in serious injury or death.
CAUTION	Failure to observe this information may result in non-serious or minor injury.

1.2 Other symbols in this documentation


 **Note**
General information is identified by the adjacent symbol.
► Read these texts carefully.

Symbol	Meaning
	Material losses (appliance damage, consequential losses and environmental pollution)
	Appliance disposal

► This symbol indicates that you have to do something. The action you need to take is described step by step.

These symbols show you the software menu level (in this example level 3).

1.3 Units of measurement

 **Note**
All measurements are given in mm unless stated otherwise.

2. Safety

2.1 Intended use

The purpose of this appliance is to heat domestic hot water within the application limits stated in the chapter "Specification / Data table".

The appliance is intended for domestic use. It can be used safely by untrained persons. The appliance can also be used in non-domestic environments, e.g. in small businesses, as long as it is used in the same way.

Any other use beyond that described shall be deemed inappropriate. Observation of these instructions and of the instructions for any accessories used is also part of the correct use of this appliance.

2.2 General safety instructions

The appliance should only be operated once it is fully installed and all safety equipment has been fitted.



WARNING Injury

The appliance may be used by children over 8 years of age and persons with reduced physical, sensory or mental capabilities or a lack of experience and expertise, provided that they are supervised or they have been instructed on how to use the appliance safely and have understood the potential risks. Children must never play with the appliance. Cleaning and user maintenance must not be carried out by children without supervision.



WARNING Electrocutation

Contact with live components presents a threat to life. Damage to the cable insulation or to individual components may result in a risk to life.

► If there is damage to the insulation, switch off the power supply and arrange a repair.

All work on the electrical installation must be carried out by a qualified contractor.



WARNING Burns

The water in the DHW cylinder can be heated to temperatures in excess of 60 °C. There is a risk of scalding at outlet temperatures in excess of 43 °C.

Caution must be exercised when coming into contact with the outflowing water.



WARNING Burns

Touching hot components can lead to burns.

► When working on hot components, always wear protective working clothing and safety gloves.

The pipework connected to the DHW outlet of the appliance can reach temperatures in excess of 60 °C.



WARNING Burns

The appliance is filled with refrigerant at the factory. In the event of refrigerant escaping due to a leak, avoid coming into contact with the refrigerant or inhaling the released vapours. Ventilate the rooms affected.



WARNING Electrocutation

Never operate the appliance when the casing is open or without a cover.



CAUTION Injury

If objects are left on the appliance, noise emissions may increase due to resulting vibrations, and the objects could fall and cause injury.

► Never place any objects on top of the appliance.



Material losses

At the factory, the appliance is fitted with rechargeable batteries that ensure the power supply to the impressed current anode in the case of a power failure.

In order for the impressed current anode to protect the DHW cylinder in the appliance against corrosion, the appliance must not be disconnected from the power supply for more than 16 hours if the DHW cylinder is filled with water and the impressed current anode is not separately connected to a continuous power supply.

If regular interruptions to the power supply are not anticipated, the batteries will not require any maintenance. Replace the batteries for the impressed current anode every three years in the following cases:

- The impressed current anode is not separately connected to a continuous power supply and a switching contact regularly interrupts the power supply to the appliance.

- The security of supply is inadequate.

Failure to observe this point puts the appliance at risk of damage.

Never use batteries that cannot be charged. Only rechargeable nickel metal hydride batteries (NiMH) are permissible.

Batteries may be damaged in the appliance. Without a power supply, the impressed current anode and the cylinder would not be protected against corrosion.



Material losses

Ensure that the appliance, water pipes and safety valves are free from the risk of frost. If you disconnect the appliance from the power supply, it is no longer protected against frost.



Material losses

Never cover the appliance. Covering the air intake or air discharge leads to a reduced air supply. If the air supply is restricted, the operational reliability of the appliance cannot be guaranteed.



Material losses

Only operate the appliance when the DHW cylinder has been filled. The appliance is equipped with boil-dry protection to prevent operation if the DHW cylinder is not completely full of water.



Material losses

Heating liquids other than potable water is not permitted.



Material losses

Keep the appliance installation site free from air contaminated with oil or salt (chloride) and corrosive or explosive substances. Avoid contaminating the installation site with dust, hairspray or substances containing chlorine or ammonia.

Appliance description



Material losses

Operating the appliance outside the application limits (see chapter "Specification / Data table") is not permitted. The appliance may be damaged if operated continuously outside the application limits.



Note

The appliance is pressurised. During the heat-up process, expansion water will drip from the safety valve.

- ▶ If water continues to drip when heating is completed, please inform your qualified contractor.

2.3 Test symbols

See type plate on the appliance.

3. Appliance description

This appliance enables DHW to be supplied efficiently to several draw-off points using renewable energy. The appliance extracts heat from the ambient air. This heat is used, along with additional electrical energy, to heat up the water in the DHW cylinder. The amount of electrical energy and time required to heat up the DHW depend on the temperature of the air drawn in and the temperature of the water in the cylinder. When the air intake temperature drops, the heating output of the heat pump is reduced and the heat-up time is extended.

In the case of indoor installation, the air inside the installation room can be cooled by 1 °C to 3 °C due to heat extraction. The appliance also extracts moisture from the air, which turns into condensate. The condensate is removed from the appliance via the condensate drain.

The appliance has an electronic control unit with LC display. The display shows parameters of interest, such as the top hot water temperature, mixed hot water volume, etc. It also indicates when the unit is idle, heating or engaged in defrosting, as well as the presence of errors and faults. Subject to the power supply and your draw-off patterns, the water is heated automatically to the selected set temperature.

External signal transmitters can be integrated via the built-in contact input, e.g. a photovoltaic system to make use of solar power generated on site.

When a DHW draw-off point is opened, the hot water is pushed out of the appliance by the inflow of cold water.

The heat pump drive unit is located in the upper section of the appliance. The DHW cylinder is located in the lower section of the appliance. To protect against corrosion, the DHW cylinder is coated internally with special enamel and is additionally equipped with an impressed current anode.

Available amount of DHW

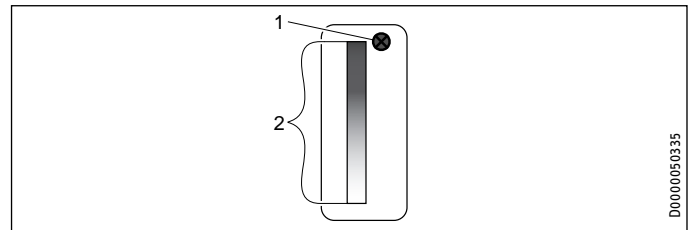
The appliance's nominal maximum available amount of DHW is designed for the recommended number of users with average user behaviour.

3.1 Heat pump operating principle

A closed circuit within the appliance contains refrigerant (see "Specification / Data table"). This refrigerant evaporates at low temperatures. In the evaporator, which extracts heat from the air drawn in, the refrigerant changes from a liquid into a gaseous state. A compressor draws in the gaseous refrigerant and compresses it. This increase in pressure raises the refrigerant temperature. This requires electrical energy.

The energy (motor heat) is not lost, but reaches the downstream condenser together with the compressed refrigerant. There, the refrigerant transfers heat to the DHW cylinder. An expansion valve then reduces the still prevalent pressure and the cyclical process starts again.

3.2 DHW heating



- 1 Cylinder top sensor
- 2 Integral sensor

The appliance is equipped with two temperature sensors.

- The cylinder top sensor captures the water temperature in the upper section of the cylinder.
- The integral sensor is a temperature sensor affixed over the entire cylinder height. The integral sensor determines the average cylinder temperature.

The appliance display indicates the temperature in the upper section of the cylinder, which is captured by the cylinder top sensor. The appliance control unit uses the average cylinder temperature captured by the integral sensor.

DHW heating is started when the available mixed water volume decreases to the percentage of the maximum mixed water volume set in the "Charge level" parameter.

The temperature captured by the cylinder top sensor may still correspond to the set temperature.

Appliance description

For information on the heat-up time, see chapter "Specification". The calculation of the available mixed water volume is based on the average cylinder temperature. The mixed water volume is only calculated if the water temperature in the upper section of the cylinder is higher than 40 °C.

DHW is normally heated by the heat pump of the appliance (see chapter "Specification / Data table").



Note

If the appliance has been isolated from the power supply during operation, the compressor will only restart after the pressure inside the refrigerant circuit has been equalised. Pressure equalisation can take several minutes.

WWK 222 H | WWK 302 H: Electric emergency/booster heater

When the temperature in the upper section of the DHW cylinder drops 12 K below the selected set temperature, the appliance automatically switches on the electric emergency/booster heater. When the temperature in the upper section of the DHW cylinder rises 2 K above the selected set temperature, the appliance switches off the electric emergency/booster heater.

In the event of an appliance fault, the electric emergency/booster heater can be activated in emergency heating mode, provided a flashing fault key is displayed. See chapter "Settings / 'Rapid heat-up' button / Emergency heating mode".

In the event of a higher hot water demand on a single occasion, use the "Rapid heat-up" button to activate the emergency/booster heater manually for one-off heat-up in addition to the heat pump. See chapter "Settings / 'Rapid heat-up' button / Rapid/comfort heat-up".

3.3 Appliance operation outside the application limits

- ▶ To guarantee fault-free operation of the appliance, make sure you operate the appliance within its application limits (see chapter "Specification / Data table").

3.3.1 Ambient temperatures below the application limit

Outside the application limits, the appliance blocks the compressor from operating. This could lead to reduced DHW convenience. If the appliance has an electric emergency/booster heater, the appliance enables this when there is a demand for water heating and the lower application limit has been undershot.

Low ambient temperatures may result in the formation of hoar frost on the evaporator depending on the air humidity and water temperature.

Active defrosting

The appliance is equipped with active hot gas defrosting, which allows quick defrosting of the evaporator when needed. During defrosting, the appliance fan is disabled. The compressor continues to run. A solenoid valve routes the hot gas directly to the evaporator. While this is happening, refrigerant flow to the condenser is disabled by another solenoid valve.

In contrast to conventional defrosting methods, the appliance guarantees that this defrosting takes place only when needed.



Note

Heat-up times are longer while the evaporator is defrosting.

3.3.2 Ambient temperatures above the application limit

Outside the application limits, the appliance blocks the compressor. This could lead to reduced DHW convenience. If the appliance has an electric emergency/booster heater, the appliance enables this when there is a demand for water heating and the upper application limit has been exceeded.

3.4 Frost protection

The appliance activates the frost protection function if the integral sensor in the DHW cylinder captures a temperature below 8 °C. The appliance then heats the water by means of the heat pump and the electric emergency/booster heater. The heat pump and electric emergency/booster heater switch off when the temperature captured by the integral sensor reaches 16 °C.

3.5 Minimum runtime and minimum pause time



Material losses

When operating with external switching devices that can interrupt the power supply to the appliance, such as time switches, energy management systems or home automation systems, the following conditions must be adhered to:

- The minimum ON time is 60 minutes.
- The minimum pause time following a shutdown is 20 minutes.
- The appliance should not be switched on/off more than 10 times per day.
- The breaking capacity of the switching actuator must meet the fuse protection requirements (see chapter "Specification / Data table").



Material losses

If you disconnect the appliance from the power supply, it is no longer protected against frost.

! Material losses

At the factory, the appliance is fitted with rechargeable batteries that ensure the power supply to the impressed current anode in the case of a power failure.

In order for the impressed current anode to protect the DHW cylinder in the appliance against corrosion, the appliance must not be disconnected from the power supply for more than 16 hours if the DHW cylinder is filled with water and the impressed current anode is not separately connected to a continuous power supply.

If regular interruptions to the power supply are not anticipated, the batteries will not require any maintenance. Replace the batteries for the impressed current anode every three years in the following cases:

- The impressed current anode is not separately connected to a continuous power supply and a switching contact regularly interrupts the power supply to the appliance.
- The security of supply is inadequate.

Failure to observe this point puts the appliance at risk of damage.

Never use batteries that cannot be charged. Only rechargeable nickel metal hydride batteries (NiMH) are permissible.

Batteries may be damaged in the appliance. Without a power supply, the impressed current anode and the cylinder would not be protected against corrosion.

3.6 Connection of an external signal transmitter



Note

This type of connection must only be carried out by a qualified electrician.

External signal transmitters can be integrated via the built-in contact input, e.g. a PV system to take advantage of electricity generated on site.

The appliance has a second set temperature preselected at the factory. This is activated when there is an external switching signal. Set temperature 2 takes priority over the standard set temperature while there is an external switching signal. Following a one-off activation (signal is present for at least 1 minute), set temperature 2 applies for at least 20 minutes and takes priority over set temperature 1.

You can change set temperature 2 on the appliance (see chapter "Settings / Settings / Set temperature 2").

4. Settings



Material losses

Optimum operation is achieved with the factory default settings.

Any changes to these are strongly discouraged as they may affect output, service life and compliance with regulations.

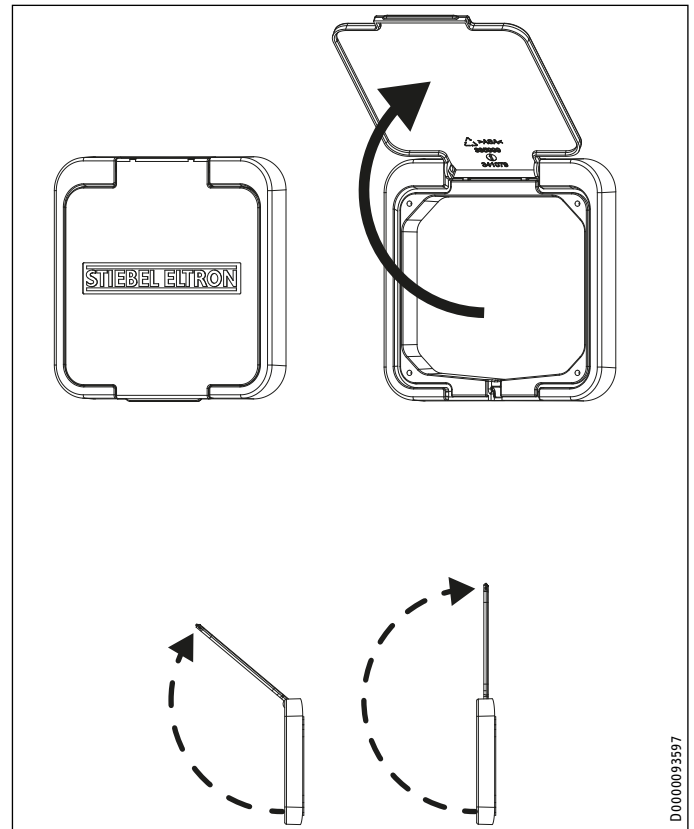
4.1 Emergency shutdown

In the event of an emergency, carry out the following steps:

- ▶ Disconnect the appliance from the power supply at the fuse in the domestic distribution board or by unplugging the power plug.
- ▶ Shut off the cold water supply.

4.2 Weatherproof cover

The programming unit is equipped with a weatherproof cover to protect it from the elements.



- ▶ Carefully flip up the lid of the weatherproof cover.

Two detents are provided so that you do not have to keep hold of the lid.

To close, carefully press the lid onto the appliance until the locking tabs at the sides lock in place.

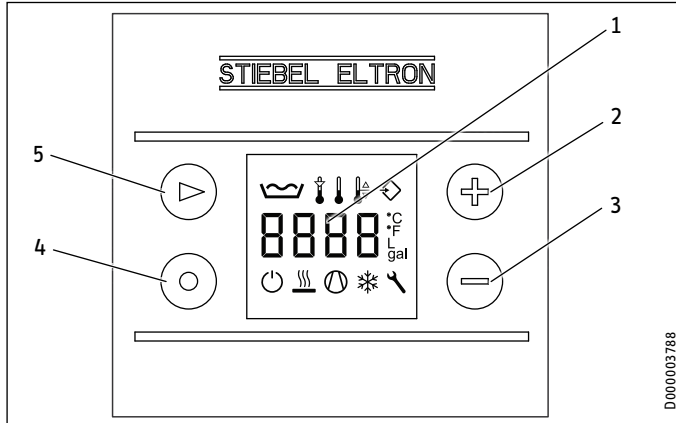
OPERATION

Settings

4.3 Display and operating controls



Note
15 seconds after every operation, the appliance automatically reverts to the default display (mixed water volume) and saves the set value.



- 1 Mixed water volume display (litres/40 °C) /
Display of actual temperature in upper cylinder section /
Set temperature display 1 /
Set temperature display 2 /
Fault code display
- 2 "Plus" button
- 3 "Minus" button
- 4 "Rapid heat-up" button
- 5 "Menu" button

Symbols

Symbol	Description
	Mixed water volume: The currently available mixed water volume at 40 °C and at 15 °C cold water temperature is shown.
	Set temperature adjustment: Subject to intake temperature and hot gas temperature, the appliance may temporarily reduce the set temperature to the actual value captured by the integral sensor. The appliance displays the "Set temperature adjustment" symbol and blocks DHW heating until the actual temperature captured by the integral sensor is 6 K below the temporary set temperature. DHW heating is then re-enabled and the originally selected set temperature is applied again.
	Actual temperature: The current actual temperature is shown. The actual temperature indicates the temperature in the upper section of the DHW cylinder and therefore largely corresponds to the outlet temperature.
	Set temperature
	External signal transmitter: Set temperature 2 is the DHW temperature to which the appliance regulates if an external signal transmitter is connected and active.
	Standby: The symbol flashes if the appliance PCB and load (compressor) are supplied with power separately. This connection option is required if the appliance is to be operated via switchable sockets in an energy management system, for example (see chapter "Electrical connection").
	Electric emergency/booster heater: This symbol indicates the presence of a demand on this component. This symbol being displayed does not necessarily mean that the electric emergency/booster heater is running.
	Heat pump: This symbol indicates the presence of a demand on this component. This symbol being displayed does not necessarily mean that the compressor is running.
	Defrost active
	Service/fault: Notify your qualified contractor if the "Service/fault" symbol appears on the display. Continuous illumination of the symbol indicates that the fault is not preventing appliance operation. A flashing "Service/fault" symbol indicates that water is not being heated and it is essential you notify your qualified contractor. Switching the appliance to emergency mode is a special case. The electric emergency/booster heater will then heat the water despite the flashing "Service/fault" symbol.


The "Electric emergency/booster heater" and "Heat pump" symbols are displayed when there is a demand for these appliance components. These symbols being displayed does not necessarily mean that the electric emergency/booster heater and the heat pump are running. Example: The appliance is in rapid/comfort heat-up mode. The electric emergency/booster heater switches off when the temperature in the upper cylinder section has reached 65 °C. The heat pump has not yet heated the lower section to 65 °C and the rapid/comfort heat-up function has therefore not been terminated yet. The electric emergency/booster heater symbol is displayed until the rapid/comfort heat-up function has terminated.

OPERATION

Settings

4.4 Adjusting the settings

The default display shows the mixed water volume.


 The "Menu" button allows you to call up all information and adjustment options in sequence. The relevant symbol appears.

■ Menu	
<input type="checkbox"/> ■ Mixed water volume display	
<input type="checkbox"/> ■ Actual temperature display	
<input type="checkbox"/> ■ Set temperature 1	
<input type="checkbox"/> ■ Set temperature 2	
<input type="checkbox"/> ■ Fan speed	
<input type="checkbox"/> ■ Air intake temperature display	
<input type="checkbox"/> ■ Enable the "Runtime-dependent rapid heat-up" function	In appliances with no electric emergency/booster heater, this parameter has no function.
<input type="checkbox"/> ■ Time set for the "Runtime-dependent rapid heat-up" function	In appliances with no electric emergency/booster heater, this parameter has no function.
<input type="checkbox"/> ■ Change units	
<input type="checkbox"/> ■ Charge level	
<input type="checkbox"/> ■ Fault code	
<input type="checkbox"/> ■ E fault code	
■ Advanced menu (with service plug only)	
<input type="checkbox"/> ■ Integral sensor offset	
<input type="checkbox"/> ■ Set the cylinder volume	
<input type="checkbox"/> ■ Compressor lockout due to evaporator fault	
<input type="checkbox"/> ■ Clear high pressure lockout	
<input type="checkbox"/> ■ Clear low pressure lockout	
<input type="checkbox"/> ■ Temperature of evaporator fins	
<input type="checkbox"/> ■ Number of times hot gas temperature sensor was triggered	
<input type="checkbox"/> ■ Number of defrost faults	
<input type="checkbox"/> ■ Number of low pressure triggers	
<input type="checkbox"/> ■ Number of high pressure triggers	
<input type="checkbox"/> ■ Hot gas temperature switching value	
<input type="checkbox"/> ■ Fan lead time	
<input type="checkbox"/> ■ Integral sensor replacement	
<input type="checkbox"/> ■ Set value limit	

■ Menu

■ Mixed water volume display



 The currently available mixed water volume at 40 °C and at 15 °C cold water temperature is shown.

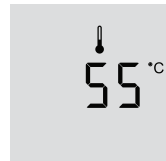



"-- L" is shown if less than 10 l mixed water is currently available.

DHW demand for	Mixed water volume at 40 °C
Bath	120-150 l
Shower	30-50 l
Washing hands	2-5 l

The mixed water volume that can be achieved depends on the cylinder size and the set temperature selected.

■ Actual temperature display



 In the "Mixed water volume" menu, press "Menu" once to access the "Actual temperature" menu.

The "Actual temperature" symbol appears.

The current actual temperature is shown. The actual temperature is the temperature in the upper section of the DHW cylinder, and therefore largely corresponds to the outlet temperature.

■ Set temperature 1

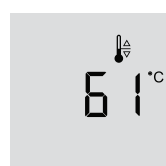



Note

For hygiene and other reasons, only change this value if instructed by Stiebel Eltron representative..

Set temperature 1 is the DHW temperature to which the appliance regulates if no external signal transmitter is connected and active.

	Factory setting
Set temperature 1	61 °C



 In the "Actual temperature" menu, press "Menu" once to access the "Set temperature 1" menu.

The set temperature 1 symbol appears. You can change the value using the "Plus" and "Minus" buttons. Setting range: 61 - 65 °C



OPERATION

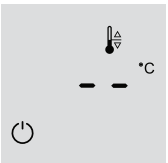
Settings



Note

Another way to adjust set temperature 1 is to press the "Plus" or "Minus" buttons from within the default display (mixed water volume).

Frost protection



Only frost protection remains active if you set the set temperature to below 20 °C using the "Minus" button. The display shows "-- °C".

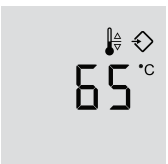
Set temperature 2



Note

For hygiene reasons, do not set a DHW temperature of less than 61 °C.

Set temperature 2 is the DHW temperature to which the appliance regulates if an external signal transmitter is connected and active.



In the "Set temperature 1" menu, press "Menu" once to access the "Set temperature 2" menu. The "External signal transmitter" symbol appears.



You can change the value using the "Plus" and "Minus" buttons. Setting range: 61 - 65 °C



Operation with external signal transmitter

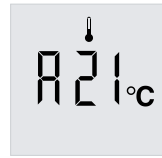


Material losses

See "Permissible voltage range for external signal transmitters" in chapter "Specification/data table".

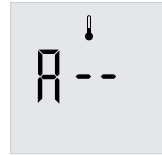
As standard, these appliances are designed to allow you to allocate a separate, individual set DHW temperature to a connected external signal transmitter, such as a PV system or an economy tariff transmitter. This set temperature 2 is activated if the terminal connected to the external signal transmitter receives a signal (see chapter "Electrical connection / External signal transmitter connection option"). While activated, set temperature 2 replaces the standard set DHW temperature ("Set temperature 1").

Air intake temperature display



An "A" appears as the air intake temperature symbol.

The current air intake temperature is displayed.



The air intake temperature is displayed only while the appliance fan is running. If it is not possible to establish an air intake temperature, two dashes are shown.

Enabling the "Runtime-dependent rapid heat-up" function



Note

In appliances with no electric emergency/booster heater, this parameter has no function.



Note

Only use the runtime-dependent quick heat-up if instructed by a Stiebel Eltron representative.

Enabling this function is likely to impact the efficiency of the product and may lead to unnecessary higher energy consumption and operational costs.

The appliance offers a runtime-dependent rapid heat-up option. If the selected set temperature is not reached by the heat pump after a user defined period, the appliance switches on the electric emergency/booster heater in parallel to back up the heat pump (subject to this function being enabled).

Once the set value has been reached, the electric emergency/booster heater remains inactive until the set time has elapsed again following a heat demand. This function is disabled at the factory.

This function is set in two stages. First enable the function and set the runtime in the second parameter.



The tHE0 setting disables the runtime-dependent rapid heat-up function. This function is enabled via setting tHE1. The function is disabled at the factory.



Switch between the tHE0 and tHE1 settings using the "Plus" and "Minus" buttons. The tHE1 setting allows the electric emergency/booster heater to cut in if the set temperature is not reached after expiry of the runtime selected below.



OPERATION

Settings

Time set for the "Runtime-dependent rapid heat-up" function



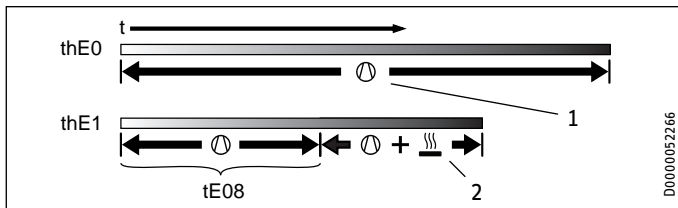
Note

In appliances with no electric emergency/booster heater, this parameter has no function.

To avoid increased power consumption, only reduce the factory-set time for runtime-dependent rapid heat-up if necessary. See chapter "Specification / Appliance parameters".



Set the runtime using the "Plus" and "Minus" buttons. After the set number of hours, the appliance checks whether the set temperature has been reached. If this is not the case, the appliance switches on the electric emergency/booster heater.



1 "Heat pump" symbol

2 "Electric emergency/booster heater" symbol

thE0 Runtime-dependent rapid heat-up disabled

thE1 Runtime-dependent rapid heat-up enabled

tE08 Adjustable number of hours (e.g. 8 in this case) during which heating is only provided by the heat pump

Change units

You can select whether the temperatures and the volume details are displayed in SI units or US units. If you select 1, the values are displayed in degrees Celsius and litres. If you select 0, the values are displayed in degrees Fahrenheit and gallons.



Press the "Menu" button until "SI" appears on the display.

Using the "Plus" and "Minus" buttons, set whether the display should use SI units (1) or US units (0).

Charge level

Increasing this value increases the minimum available amount of DHW. The effect corresponds to a virtual shift of the temperature sensor downwards. This results in a faster recovery at the expense of higher energy consumption and reduced efficiency. Reducing this value has the opposite effect and results in a longer recovery at the expense of DHW availability.

DHW heating is started when the available mixed water volume decreases to the percentage of the maximum mixed water volume set in the "Charge level" parameter.

		Factory setting
Charge level WWK 222 (H)	%	56
Charge level WWK 302 (H)	%	64

The displayed mixed water volume is based on a mixed water temperature of 40 °C. At water temperatures below 40 °C (± 1 K), the mixed water volume is not calculated or displayed.

A further start condition, which overlaps with the charge level start conditions, is the reduction of the temperature captured by the cylinder top sensor to 6 K below the active set temperature.



Press the "Menu" button until an "L" followed by a number appears on the display.

You can change the value using the "Plus" and "Minus" buttons. Setting range: 30 - 100 %



Material losses

Do not change this parameter unless instructed by a Stiebel Eltron representative.

Fault code



If the "Service/fault" symbol is illuminated or flashes, you can call up the fault code using the "Menu" button. This menu remains disabled if no fault has arisen.

See chapter "Troubleshooting / Fault codes".

E fault code

A fault code preceded by E appears if the fault relates to the refrigerant circuit.

OPERATION

Settings

4.5 "Rapid heat-up" button



Note

In appliances with no electric emergency/booster heater, this button only allows you to clear the high pressure/low pressure lockout. You cannot start rapid/comfort heat-up or emergency heating mode.



Note

To start rapid/comfort heat-up with the "Rapid heat-up" button, the start screen must be displayed.



Press the "Rapid heat-up" button for two seconds.

The heat pump and electric emergency/booster heater symbols appear.

4.5.1 Rapid/comfort heat-up

Normally, the "Rapid heat-up" button is used to activate the rapid/comfort heat-up function, which enables you to cover an unexpectedly high DHW demand without changing any of the appliance's standard settings.

If rapid/comfort heat-up is activated manually by pressing the relevant button, the heat pump and the electric emergency/booster heater will start once in parallel, irrespective of the selected set temperature, and will remain active until the DHW temperature in the cylinder has reached 65 °C. To save energy, the electric emergency/booster heater switches off sooner, once a temperature of 65 °C has been achieved in the upper cylinder section (rapid heat-up).

The rapid/comfort heat-up function remains active until a temperature of 65 °C has been achieved in the entire DHW cylinder (comfort heat-up). The appliance then automatically switches back to the previously set parameters.



Note

The electric emergency/booster heater and heat pump symbols are displayed until the rapid/comfort heat-up function has terminated.



Note

To end rapid/comfort heat-up, press the "Rapid heat-up" button for two seconds.

4.5.2 Emergency mode

If the appliance is faulty, you can use emergency mode to activate the electric emergency/booster heater.

Following a DHW demand, the appliance measures the temperature rise every 15 minutes. If the temperature rise was <math><0.25\text{ °C}</math> within the 15 minute period, this is recorded by a counter. If the temperature rise did not reach >math>>0.25\text{ °C}</math> in any 15 minute period over 13 hours, the compressor shuts down. The fault key flashes on the display and a fault code indicates that the appliance is not heating the water.



Press the "Rapid heat-up" button for two seconds.

The "Electrical emergency/booster heater" symbol appears. The "Service/fault" symbol flashes.

After the "Rapid heat-up" button has been pressed, the indicated fault code increments by a value of 256, as the fault codes are added together (see fault code table in chapter "Troubleshooting"). The fault key continues to flash. The electric emergency/booster heater is activated.

The current set temperature (set temperature 1 or set temperature 2) is ignored.

In emergency heating mode, the appliance operates with a fixed set temperature. In the upper cylinder section, the DHW is heated up to 65 °C by the electric emergency/booster heater.

Following one-off enabling of this function by means of the "Rapid heat-up" button, this function remains enabled for 7 days.

Following 7 days of emergency operation the electric emergency/booster heater is disabled. The fault code shown on the display decreases by 256.

If you press the "Rapid heat-up" button again for two seconds within the 7 days of emergency heating mode, the 7-day runtime for emergency heating mode will restart.

If the 7-day runtime for emergency heating mode has expired, you can restart emergency heating mode for a further 7 days by pressing "Rapid heat-up".

Pressing the "Rapid heat-up" button only enables emergency mode if a fault with fault code 8 occurred previously. In standard mode, pressing the "Rapid heat-up" button only triggers one-off heat-up of the DHW cylinder.

Emergency mode is no longer active after an interruption to the power supply. The appliance tries again to heat with the heat pump.

You can avoid having to wait until the temperature increase time has elapsed (see chapter "Specification") by starting manual emergency heating mode.

Manual emergency heating mode

If a fault has occurred and no fault code is displayed, you can activate emergency heating mode.



Keep the "Plus" and "Minus" buttons pressed. In addition, press the "Menu" button and keep all three buttons pressed for 5 seconds.

The "Electrical emergency/booster heater" symbol appears. The "Service/fault" symbol flashes.

5. Cleaning, care and maintenance



WARNING Electrocutation

- Only clean the exterior of the appliance.
- Never open the appliance.
- Do not insert objects through the grille into the interior of the appliance.
- Never spray the appliance with water.
- Never spray water into the appliance.



WARNING Injury

Maintenance work, such as checking electrical safety, must only be carried out by a qualified contractor.

Appliance components	Care and maintenance tips
Casing	Use a damp cloth to clean the casing sections. Never use abrasive or corrosive cleaning agents.
Air intake grille / air discharge grille	Clean the air intake grille and air discharge grille every six months. Cobwebs or other dirt could obstruct the air supply to the appliance.
DHW cylinder	The DHW cylinder is equipped with a maintenance-free impressed current anode to protect it against corrosion. In order for the impressed current anode to protect the DHW cylinder in the appliance against corrosion, the appliance must not be disconnected from the power supply for more than 16 hours if the DHW cylinder is filled with water and the impressed current anode is not separately connected to a continuous power supply.
Electric emergency/booster heater	Have the electric emergency/booster heater descaled from time to time. This will extend the service life of the electric emergency/booster heater.
Safety equipment	Activate the valves at least every 6 months to prevent them from becoming blocked, e.g. by limescale deposits.
Evaporator	Have the evaporator regularly checked by a qualified contractor.
Condensate drain	Undo the condensate drain. Check that the condensate drain is clear and remove any dirt from the "Condensate drain" connection.

5.1 Protective anode and battery change

The appliance is equipped with a maintenance-free impressed current anode that protects the cylinder from corrosion when it is connected to the power supply. At the factory, the appliance is fitted with rechargeable batteries that ensure the power supply to the impressed current anode in the case of a power failure. The appliance power supply must not be interrupted for more than 16 hours.

If the power supply is regularly interrupted by a switching contact or the security of supply is inadequate, the batteries of the impressed current anode must be replaced every three years. Failure to comply may result in damage to the appliance.

If regular interruptions to the power supply are not anticipated and there is security of supply, no maintenance of the batteries is required and the appliance is maintenance-free in this regard.

6. Troubleshooting

Problem	Cause	Remedy
No hot water is available.	No power at the appliance. A fuse in the distribution board has blown.	Check that the appliance is connected to the power supply. Check whether the fuses in your distribution board have blown. Contact a qualified contractor if the fuse blows again after the appliance is connected to the power supply.
	The air intake or air discharge of the appliance is blocked.	Check the air intake grille and air discharge grille for dirt. Remove any dirt (see chapter "Maintenance and care"). Ensure that the supply and extract air flow are unimpeded.
	Outside the application limits, the appliance blocks the compressor. This could lead to reduced DHW convenience.	No action required. The appliance will restart the compressor automatically within the application limits.
	The DHW cylinder is not completely filled.	The appliance restarts automatically when the DHW cylinder has been filled.
	After DHW was drawn off previously, the appliance was not able to fully heat up the cylinder content.	No action required. Let the appliance complete the heat-up process.
	The safety pressure limiter has responded 5 times in 5 hours.	Notify a qualified contractor. The appliance can only be unlocked with a service programming unit.
The compressor is operational, but the fan is off.	If the appliance is in defrost mode, it may take up to an hour for the fan to switch on again.	No action required. However, if this continues for more than one hour, please consult a qualified contractor.
A safety valve is dripping.	The appliances are under water mains pressure. During the heat-up process, expansion water drips from a safety valve.	If water continues to drip when heating is completed, please inform your qualified contractor.
The condensate drain drips.	The surface temperature of the evaporator is lower than the dew point temperature of the ambient air. Condensate forms.	This is normal. No action required. The amount of condensate depends on the humidity level of the ambient air.
For indoor installation: The room temperature drops too low.		Operation of the appliance can cause the room temperature to fall by 1 to 3 °C. If the room temperature falls by more than 5 °C, check the room size (see chapter "Specification / Data table"). Increasing the room size by opening a door to another room will remedy this.
The "Service/fault" symbol is continuously illuminated.	See chapter "Fault codes".	Notify a qualified contractor. A continuously illuminated "Service/fault" symbol indicates that a fault has occurred, but the heat pump is heating nevertheless.
The "Service/fault" symbol flashes and the water does not heat up.	See chapter "Fault codes".	It is imperative that you notify a qualified contractor quickly. A flashing "Service/fault" symbol indicates that a fault has occurred and the heat pump is no longer heating.
The "Defrost" symbol is shown.	The appliance is in defrost mode.	No action required.
The "Heat pump" symbol is flashing.	There is a heat demand, but the compressor is locked out.	No action required. The compressor restarts automatically after the compressor lockout time has elapsed. The symbol stops flashing automatically.

OPERATION

Troubleshooting

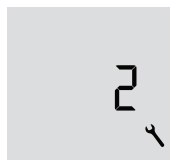
Problem	Cause	Remedy
The "Electric emergency/booster heater" symbol is flashing.	A temperature controller has switched off the electric emergency/booster heater during rapid heat-up.	No action required. The appliance continues the rapid heat-up process using the heat pump. The symbol stops flashing when the controller re-enables the electric emergency/booster heater. The symbol goes out when the temperature throughout the DHW cylinder reaches the set rapid heat-up temperature.
The "Electric emergency/booster heater" symbol is illuminated but the electric emergency/booster heater is not operational.	The "Electric emergency/booster heater" symbol is illuminated when there is a demand. The internal controller of the electric emergency/booster heater may have ended electric heating. A possible cause may be a fault in the electric emergency/booster heater. A possible cause may be that the high limit safety cut-out has responded.	Have a qualified contractor check whether the controller of the electric emergency/booster heater is set correctly. The controller must be turned fully anti-clockwise. Have a qualified contractor check the high limit safety cut-out.

Fault code


You can call up a fault code if the "Service/fault" symbol is flashing or continuously illuminated on the display.




Repeatedly press the "Menu" button until the fault code is shown after set temperature 2.



Fault code appears

		Fault description	Remedy
2	Continuously on	The cylinder top sensor is faulty. The actual temperature display switches from the cylinder top sensor to the integral sensor. The appliance continues to heat without any loss of comfort. The mixed water volume cannot be calculated and is displayed as "-".	Notify a qualified contractor.
4	Continuously on	The integral sensor is faulty. In the event of a faulty integral sensor, the integral sensor is set to the value of the cylinder top sensor, and the mixed water volume is calculated using this value. The appliance continues to heat with a reduced start hysteresis. A mixed water volume is still calculated, based on the assumption that the cylinder top temperature is reached throughout the DHW cylinder.	Notify a qualified contractor.
6	Flashing	The cylinder top sensor and the integral sensor are faulty. The appliance no longer delivers heat.	Notify a qualified contractor.

		Fault description	Remedy
8	Flashing	The appliance has ascertained that the DHW cylinder has not been heated within the maximum temperature increase time, despite there being a demand.	You can temporarily continue to use the appliance by pressing the "Rapid heat-up" key to activate emergency heating mode. See chapter "Appliance description / Emergency mode".
16	Continuously on	A short circuit of the impressed current anode has occurred or the protective anode is faulty.	Immediately notify a qualified contractor, as the appliance is not protected against corrosion if the impressed current anode is faulty.
32	Flashing	The appliance is not being operated with a completely filled DHW cylinder. The appliance is not heating.	Fill the DHW cylinder of the appliance. The fault code disappears and the appliance starts.
		The anode current is interrupted. The appliance is not heating.	Notify a qualified contractor.
64	Continuously on	The defrost temperature has not yet been reached after the maximum defrost time has lapsed. The compressor is faulty.	The fault is reset automatically once the evaporator temperature has risen to the defrost end temperature. Notify a qualified contractor.
128	Continuously on	There is no communication between the controller and the programming unit. The most recently selected set values are active. The appliance continues to heat.	Notify a qualified contractor.
256	Flashing	Manually activated emergency mode (only electric emergency/booster heater active)	See chapter "Appliance description / Emergency mode".
512	Flashing	A fault has occurred in the refrigerant circuit.	Notify a qualified contractor.

If several faults occur, the fault codes are added together.

Example: If both the cylinder top sensor and the integral sensor are faulty, the display shows fault code 6 (=2+4).

Application scenarios for emergency heating mode


If the appliance shows fault code 8, you can manually enable emergency heating mode. If a different fault occurred previously, but did not cause the appliance to shut down, the display may show a fault code that is the result of several faults added together.

Listed below are the fault codes which will allow you to enable emergency heating mode.

Fault code displayed	
8	8
10	Fault code 8 + fault code 2
12	8+4
24	8+16
26	8+2+16
28	8+4+16
138	8+2+128
140	8+4+128
152	8+16+128
154	8+2+16+128
156	8+4+16+128

When the appliance is operating in emergency heating mode, the fault code shown is incremented by 256.

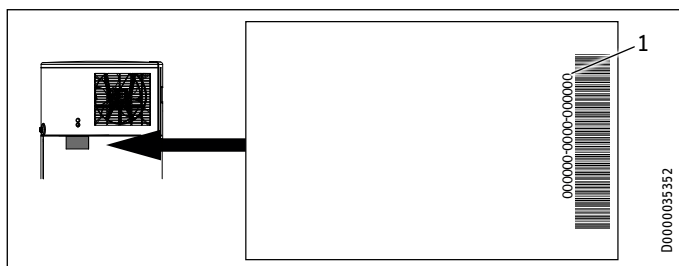
E fault code

		Fault description	Remedy
E 1	Flashing	The temperature sensor on the air inlet is faulty.	Notify a qualified contractor.
E 2	Flashing	The temperature sensor on the evaporator is faulty.	Notify a qualified contractor.
E 4	Continuously on	The hot gas temperature sensor is faulty. The appliance continues to heat. To protect the appliance, the (possibly higher) set temperature is reduced to the set value for setback.	Notify a qualified contractor.
E 16	Continuously on	The high pressure switch has responded. Compressor heating mode is temporarily blocked. Compressor heating mode will continue as soon as the pressure has normalised.	Wait until the pressure has normalised.
E 32	Continuously on	An electrical fault has occurred.	Notify a qualified contractor.
E 64	Flashing	Evaporator temperature < Minimum evaporator temperature	Notify a qualified contractor.
E 128	Flashing	A permanent pressure switch fault has occurred. A pressure fault occurred multiple times within a defined pressure fault evaluation time.	Notify a qualified contractor.

Notifying a qualified contractor

If you cannot remedy the fault, notify your qualified contractor. In Australia, contact us directly (1800153351). To facilitate and speed up your enquiry, please provide the serial number from the type plate (000000-0000-000000). The type plate can be found on the left, above the "DHW outlet" connection.

Sample type plate



1 Number on the type plate

INSTALLATION

7. Safety

Only a qualified contractor should carry out installation, commissioning, maintenance and repair of the appliance.

7.1 General safety instructions

We guarantee trouble-free function and operational reliability only if original accessories and spare parts intended for the appliance are used.

7.2 Instructions, standards and regulations



Note

Observe all applicable national and regional regulations and instructions.



Note

The installation of this appliance shall conform to the Plumbing Code of Australia (PCA), and the New Zealand Building Code.

Take note of the appliance type plate and chapter "Specification".

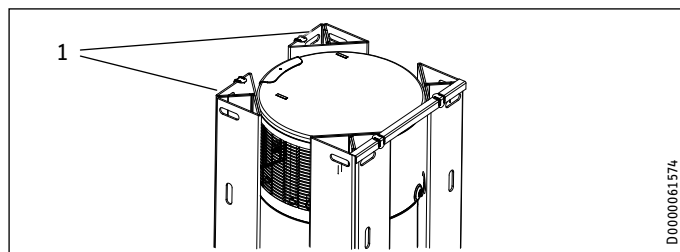
8. Appliance description

8.1 Standard delivery



Note

The accessories are located in the corners of the packaging. Remove the accessories before disposing of the packaging.



1 Corners of the packaging

The following are delivered with the appliance:

- Condensate drain bend
- 2 straight pipe adaptors from G 1 to G 3/4
- T&P valve G 1/2
- Reducer from R 3/4 male thread to G 1/2 female thread

8.2 Required accessories

Various safety assemblies are available that need to be selected subject to the static pressure. These type-tested safety assemblies protect the appliance against unacceptable excess pressure.

For Australia: Various safety assemblies are available to protect the appliance against unacceptable excess pressure and limit the DHW outlet temperature.

8.3 Additional accessories

- Condensate pump (if the condensate cannot be drained off with a naturally occurring fall)

8.4 Incorrect use

The following are not permitted:

- Operating the appliance when the casing is open
- Filling the appliance with a refrigerant other than the one detailed in chapter "Specification / Data table"
- Heating liquids other than potable water

Observe the list of requirements regarding the installation room and non-permissible installation sites (see chapter "Installation site").

9. Preparation

9.1 Transport



CAUTION Injury

- ▶ Observe the weight of the appliance.
- ▶ Use suitable transport aids (e.g. sack truck) and enough personnel for transportation.



Material losses

- The appliance has a high centre of gravity and low overturning moment.
- ▶ Safeguard the appliance against falling over.
- ▶ Only set the appliance down on an even base.



Material losses

- The appliance casing is not designed to withstand strong forces. Incorrect handling can lead to material losses of considerable extent.
- ▶ Observe the information on the packaging.
- Only remove the packaging shortly before installation.

Where possible, do not unpack the appliance until it has arrived in the installation room.

For transport and handling leave the appliance in its packaging and on the pallet. This enables brief horizontal transport and provides places to hold on to during transport.

If the appliance has to be unpacked before transportation, we recommend using a sack truck. Pad the contact surfaces to avoid damaging the appliance. Secure the appliance using a strap. Pad the areas between the strap and the appliance, and avoid over-tightening the strap. Where stairwells are narrow, you can carry the appliance by the handles on the sack truck or trolley and the foot of the appliance.

INSTALLATION

Preparation

Vehicular transport



Material losses

The appliance must generally be stored and transported vertically.

On tarmac, asphalt, bitumen or otherwise paved roads you may transport the appliance horizontally over a maximum distance of 160 km. Strong shocks are not permissible.



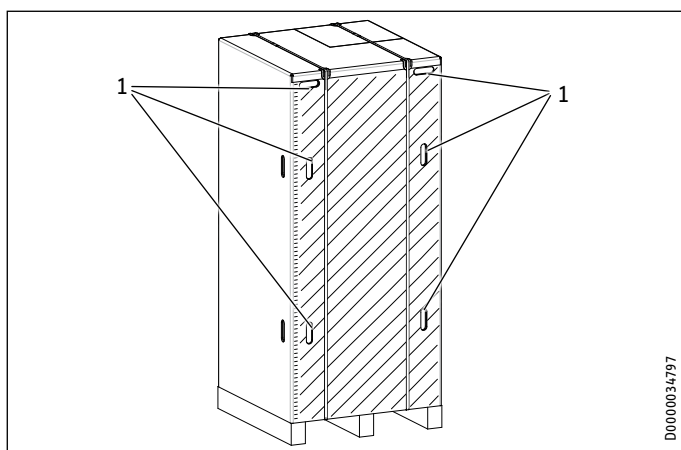
Material losses

If transported horizontally, the appliance must always be laid on the shaded side of the box.

The appliance must not remain in a horizontal position for more than 24 hours.

If the appliance was transported horizontally, leave it to rest in a vertical position for at least one hour before commissioning.

- ▶ Observe the information on the packaging.



1 Recessed grips

Transport from vehicle to installation room

The cardboard box has reinforced handholds (recessed grips). You can use these recessed grips, as well as the pallet at the lower end, to carry the appliance into the installation room. Take note of the weight of the appliance and ensure sufficient personnel are available.

9.2 Storage

If it is necessary to store the appliance for a prolonged period before installation, observe the following information:

- Only store the appliance in a vertical position. Never store the appliance horizontally.
- Store the appliance in a location that is dry and largely dust-free.
- Protect the appliance from coming into contact with aggressive substances.
- Ensure the appliance is not subjected to shocks or vibrations.

9.3 Installation site



Material losses

Observe the following list of requirements regarding the installation site.

- Install the appliance where it will be exposed as little as possible to strong direct wind, extreme rain, sun or snow, but will still be well ventilated. Unhindered air intake and air discharge must be possible. If necessary, protect the appliance against the elements with a canopy, base and deflectors.
- The installation site must be free from flammable, highly combustible gases and substances, as well as high levels of dust.
- The application limits for the heat pump and DHW cylinder must be maintained (see chapter "Specification / Data table").
- The substrate of the installation site must be level and have sufficient load bearing capacity. Take note of the weight of the appliance with a full DHW cylinder (see chapter "Specification / Data table"). A floor with insufficient load bearing capacity is in danger of collapse. If the appliance is not level, there may be a risk of appliance damage.
- In the case of indoor installation, the size of the installation room must correspond to the application limits of the appliance (see chapter "Specification / Data table").
- Observe the safety clearances and protection zones.
- Always leave sufficient space to provide access for installation, maintenance and cleaning. Observe the minimum clearances (see "Preparations / Siting the appliance"). Otherwise, the energy efficiency may decrease and the service life may be reduced.
- Never install the appliance in locations with aggressive atmospheres. Never draw off supply air from locations with aggressive atmospheres. This may damage the appliance.
- Check for anything which may have adverse effects on the installation site or the air supply. This can decrease the energy efficiency and reduce the service life, for example.
- Never install the appliance in close proximity to outdoor air conditioning units. This can damage the fan, the compressor or the evaporator, for example.
- Ensure the operation of other equipment in the installation room is not impaired.
- To keep the water pipe lengths as short as possible, we recommend installing the appliance close to the kitchen or bathrooms.
- To prevent adverse effects from operating noise, do not install the appliance close to bedrooms.

INSTALLATION

Preparation

Examples of unacceptable installations	
Atmospheres containing ammonia	Sewage works, pigsties
Substances which block the evaporator	Air containing oil or fat, dust (cement, flour, etc.). Note: If the air contains hairspray (e.g. in hairdressing salons), the appliance should be operated with shorter maintenance intervals.
Saline environments	Coastal installations (< 200 m from the coast) can reduce component service life.
Atmospheres containing chlorine or chloride	Swimming pools, salt works
Atmospheres containing thermal water	
Formaldehyde in the atmosphere	Certain wood-based materials (e.g. OSB boards) Certain insulating materials (e.g. foams based on urea-formaldehyde (UF in-situ foams))
Carboxylic acid in the atmosphere	Extract air from kitchens Components of floor cleaners (e.g. vinegar cleaner)

Air polluted with these substances can cause corrosion of copper materials in the refrigerant circuit, especially the evaporator. This corrosion can lead to failure of the appliance. Any damage to the appliance caused in this way is not covered by the guarantee conditions.



Note

The appliance output data is calculated according to the relevant standards, using the intake temperature specified in the data table. Below this temperature the appliance efficiency and output decrease. The heat-up time is extended.



Note

You can improve the efficiency of the appliance by utilising the waste heat from other appliances to heat the DHW cylinder, e.g. boilers, tumble dryers or freezers. If, for example, a tumble dryer releases dust at the installation site, the evaporator must be cleaned more frequently.

Sound emissions

The sound emissions are louder on the air intake and air discharge sides of the appliance than on the closed sides.

- ▶ Do not direct the air intake or air discharge towards noise-sensitive rooms of the house, e.g. bedrooms.

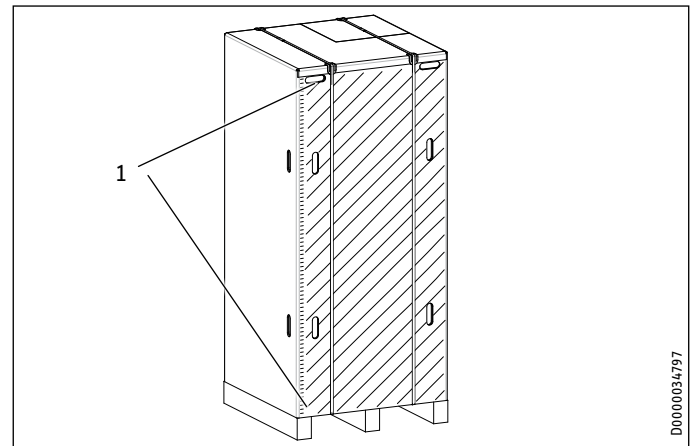


Note

For details on sounds emissions, see chapter "Specification / Data table".

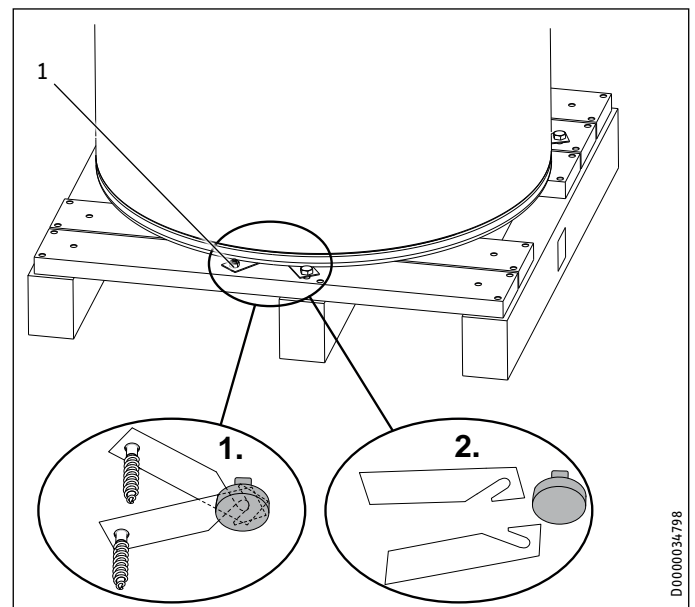
9.4 Siting the appliance

- ▶ Carefully undo the cardboard packaging at the clips.



1 Cardboard packaging clips

The appliance is secured to the pallet with metal brackets and screws. The metal brackets are hooked onto the feet underneath the floor plate of the appliance.



1 Metal bracket fixing screw

- ▶ Remove the fixing screws of the metal brackets from the pallet.
- ▶ Push the metal brackets a little towards the cylinder centre to unhook them from the appliance feet.
- ▶ Pull the metal brackets out from underneath the appliance.



Material losses

Take note of the appliance's weight and centre of gravity.

- ▶ Slightly tip the appliance and carefully roll the appliance off the pallet.
- ▶ Position the appliance in the final installation site.

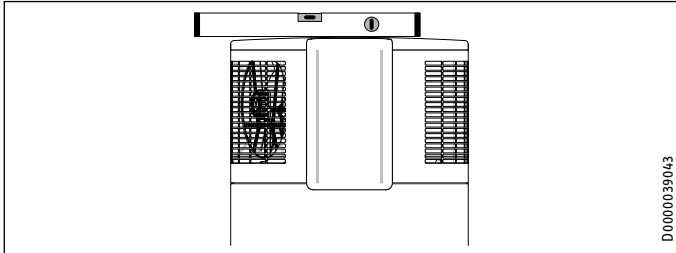


Material losses

The appliance must be positioned vertically to avoid damage.

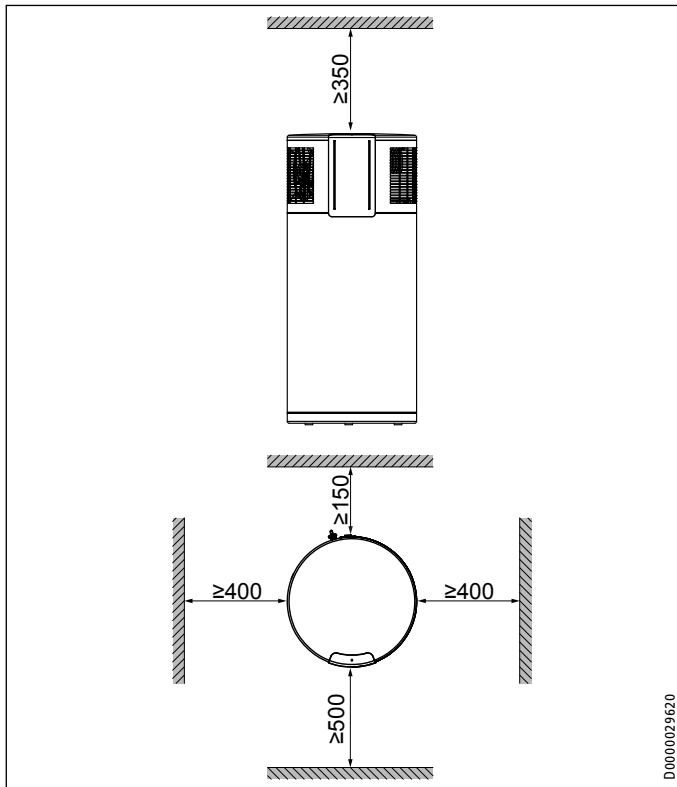
The appliance has height-adjustable feet below its base.

- ▶ Level the appliance horizontally using the height-adjustable feet.



9.4.1 Minimum clearances

- ▶ Maintain the minimum clearances.



10. Installation



WARNING Injury

Incorrect installation can lead to serious injury or material losses.

Before any work, ensure sufficient clearances for installation.

Handle sharp-edged components carefully.

10.1 Water connection



Material losses

Carry out all water connection and installation work in accordance with regulations.



Material losses

The corrosion protection provided by the anode can only be guaranteed when the electrical conductivity of the potable water is within the limits stated in chapter "Specification / Data table".

Cold water line

Galvanised steel, stainless steel, copper and plastic are approved materials.

A safety valve is required.

DHW line

Stainless steel, copper and plastic pipework are approved.



Material losses

When using plastic pipework, observe the manufacturer's data and chapter "Specification / Fault conditions".

- ▶ Thoroughly flush the pipework before connecting the appliance. Foreign bodies, such as abraded plastic or metal, rust, sand or sealant can impair the operational reliability of the appliance.

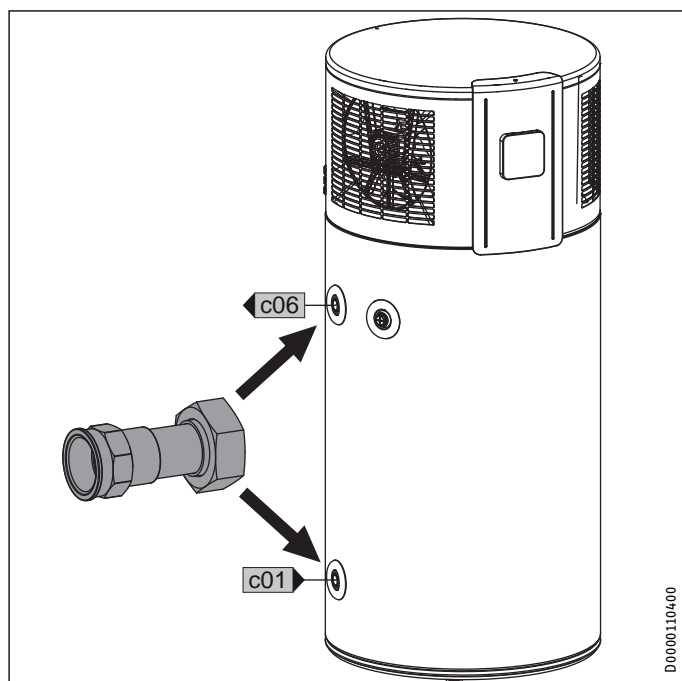


Material losses

To protect the connections against corrosion, the water connection must be made with flat gaskets. The use of hemp on connections is not permissible.

INSTALLATION

Installation



- ▶ Connect the adaptor that is part of the standard delivery, with the gaskets supplied, to cold water inlet c01 and DHW outlet c06.
- ▶ Check the screw fitting for tightness.

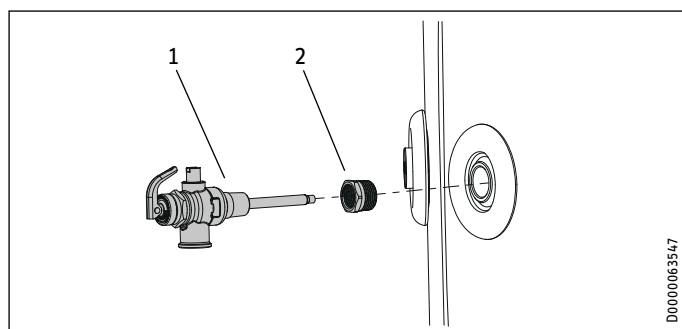
DHW circulation

DHW circulation is not permissible.

10.1.1 Safety equipment

A T&P valve or a cold water expansion control valve, or both, must be installed. Observe local and regional regulations.

T&P valve (850 kPa)



- 1 T&P valve
 - 2 Reducer from R 3/4 male thread to Rp 1/2 female thread
- ▶ If specified, install a type-tested T&P valve with reducer at the "T&P valve" connection provided on the appliance.

The response pressure of the valve must be below or equal to the permissible operating pressure of the DHW cylinder. The valve protects the appliance against unacceptable excess pressure or temperature. The diameter of the cold water supply line must not be greater than the diameter of the valve.

- ▶ Ensure that the expansion water escaping from the valve can drip into a drain, e.g. a funnel or tundish.

Ensure the drain cannot be shut off.

- ▶ Size the drain pipe so that water can drain off unimpeded when the safety valve is fully opened.
- ▶ Ensure that the drain pipe of the safety valve is open to the outside.
- ▶ Fit the drain pipe of the safety valve with a constant downward slope and in a location free from the risk of frost.

Safety valve (cold water expansion control valve)

- ▶ If specified, install a type-tested 700 kPa safety valve (expansion control valve) in the cold water supply line.

The safety valve protects the appliance against unacceptable excess pressure. The diameter of the cold water supply line must not be greater than the diameter of the safety valve.

- ▶ Ensure that the expansion water escaping from the safety valve can drip into a drain, e.g. a tank or funnel.

Ensure the drain cannot be shut off.

- ▶ Size the drain pipe so that water can drain off unimpeded when the safety valve is fully opened.
- ▶ Ensure that the drain pipe of the safety valve is open to the outside.
- ▶ Fit the drain pipe of the safety valve with a constant fall in a room free from the risk of frost.

10.1.2 Pressure reducing valve

The maximum pressure in the cold water supply line must be at least 20 % below the lowest response pressure of all installed T&P valves. Otherwise a pressure reducing valve is required. If this is the case, install a pressure reducing valve in the cold water supply line. The pressure reducing valve must be set to 540 kPa if a safety valve is installed; otherwise to 700 kPa.

10.1.3 Drain valve

- ▶ Install a suitable drain valve at the lowest point in the cold water supply line.

10.1.4 Thermal insulation

- ▶ Insulate the DHW line and valves against heat loss and to improve energy efficiency in accordance with locally applicable regulations.
- ▶ Insulate the cold water supply line to prevent condensate forming.

10.1.5 DHW outlet



WARNING Burns

The water in the DHW cylinder can be heated to temperatures in excess of 60 °C. There is a risk of scalding at outlet temperatures in excess of 43 °C.

- ▶ Install a temperature limiter in all systems intended for personal hygiene, e.g. balancing valve, thermostatic mixing valve.

10.2 Condensate drain

Install a condensate drain hose in order to remove the condensate which forms.

- ▶ Connect the condensate drain bend included in the standard delivery to the "Condensate drain" connection.

INSTALLATION

Installation

- ▶ Connect a condensate drain hose to the condensate drain bend.

A siphon must be installed to prevent aggressive gases from the sewer entering the appliance. The condensate drain must be installed with an outlet that opens freely above the siphon.

! Material losses

- ▶ Ensure condensate cannot back up.
 - ▶ Use a condensate drain hose with a diameter greater than the diameter of the condensate drain bend.
 - ▶ Ensure the condensate drain hose is not kinked.
 - ▶ Route the condensate drain hose with a continuous fall.
- The condensate drain must be open to atmosphere.

- ▶ Use a suitable condensate pump if there is insufficient fall. Take the building characteristics into account.

Condensate pan heater

! Material losses

If the temperature at the installation site could continuously fall below freezing (1 - 2 days) you should install a condensate pan heater. The condensate pan heater is not part of the standard delivery.

When the compressor is running, install a load-dependent relay to switch on the condensate pan heater after a delay.

The condensate pan heater must have an external power supply.

10.3 Electrical connection



WARNING Electrocutation

The appliance is supplied with a flexible power cable without plug. In the case of a permanent connection, the appliance must be able to be separated from the power supply by an isolator that disconnects all poles with at least 3 mm contact separation. Contactors, circuit breakers or fuses can be used for this. This type of isolator must be installed in the fixed electrical installation according to the regulations.

For Australia: Ensure that the appliance can be separated from the power supply by a suitable isolator. Contactors, circuit breakers, fuses or general purpose power plugs can be used for this. This type of isolator must be installed according to the electrical installation regulations.



WARNING Electrocutation

Carry out all electrical connection and installation work in accordance with national and regional regulations.



WARNING Electrocutation

Ensure that the appliance is connected to the earth conductor.



WARNING Electrocutation

Observe the safety measures to prevent contact with dangerously high contact voltage.



WARNING Electrocutation

Coming into contact with live components presents a threat to life. Disconnect the appliance from the power supply before carrying out work on its interior. Prevent the power supply from being switched on while you are working on the system.



WARNING Electrocutation

Insufficient earthing can lead to electrocution. Ensure the appliance is earthed according to locally applicable requirements.



WARNING Electrocutation

If the power cable is faulty, replace it with a new one. The power cable should only be replaced by a qualified contractor.



Material losses

Install a residual current device (RCD).



Material losses

The specified voltage must match the mains voltage. Observe the type plate.



Material losses

Observe the fuse protection required for the appliance (see chapter "Specification / Data table").



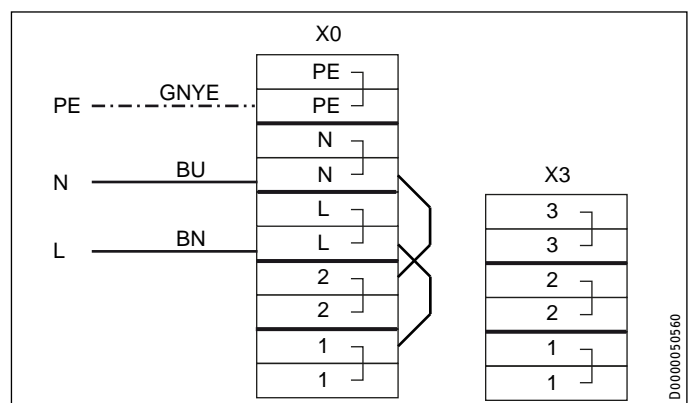
Material losses

Never connect the appliance to the power supply before the DHW cylinder is filled.

The appliance is supplied with a flexible power cable without plug.

- ▶ If the power cable is not long enough, you may disconnect it from the appliance and replace it with a longer, more suitable cable. Alternatively, you may extend the cable as permitted by regional and national regulations (e.g. with the use of a junction box).
- ▶ When routing the new power cable, ensure waterproofing where it passes through the existing cable grommet. Connect the cable properly inside the appliance.

10.3.1 Standard connection (without external signal transmitter)



BN Brown
 BU Blue
 GNYE Green/yellow

D0000050560

INSTALLATION

Installation

10.3.2 Separate power supply to the impressed current anode

At the factory, the appliance is fitted with rechargeable batteries that ensure the power supply to the impressed current anode in the case of a power failure. If regular interruptions to the power supply are not anticipated, the batteries will not require any maintenance.

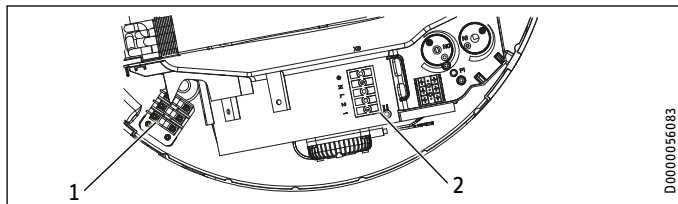
The rechargeable batteries for the impressed current anode must be replaced every three years in the following cases:

- The impressed current anode is not separately connected to a continuous power supply and a switching contact regularly interrupts the power supply to the appliance.
- The security of supply is inadequate.

Failure to observe this point puts the appliance at risk of damage.

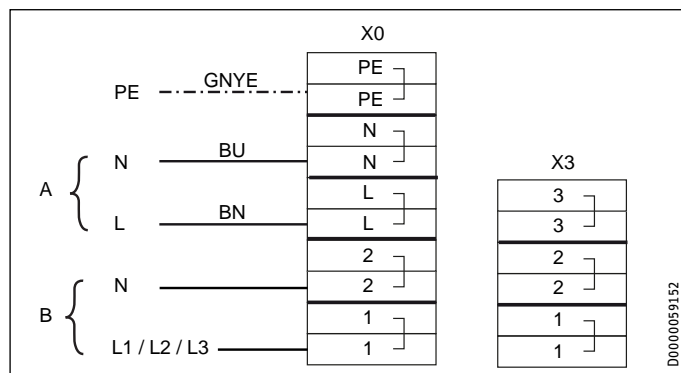
Replacing the batteries can be avoided by connecting the impressed current anode separately to a continuous power supply. This means the DHW cylinder continues to be protected against corrosion if the rest of the appliance is switched off, e.g. by a controlled power supply.

- ▶ Remove the appliance cover (see chapter "Cleaning and maintenance / Removing the appliance cover").



- 1 Strain relief
- 2 Terminal X0

- ▶ Prepare the cables in such a way that each cable terminates with a wire ferrule.
- ▶ Push the cables through one of the cable entries in the appliance casing.
- ▶ Route the cables through the strain relief.
- ▶ Remove the jumper which leads from X0/N to X0/2 in the delivered condition.
- ▶ Remove the jumper which leads from X0/L to X0/1 in the delivered condition.



- A Power supply provided by power supply utility or energy management system for switching the load (compressor)
- B Power supply to impressed current anode and PCB
- BN Brown
- BU Blue
- GNYE Green/yellow

- ▶ Connect the cables for the separate power supply to the impressed current anode to X0/1 and X0/2.



Material losses

The power supply to the impressed current anode must be ensured at all times.

10.3.3 Connection with external signal transmitter



Note

The appliance has a second, higher set temperature which is preset at the factory. This is activated when there is an external switching signal. Set temperature 2 takes priority over the standard set temperature while there is an external switching signal.

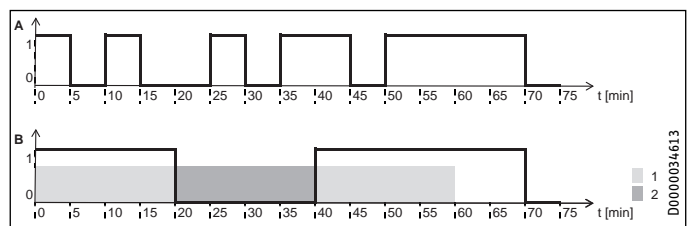
An external signal transmitter for switching a separate set DHW temperature (set temperature 2) can be connected to terminal X3/1-2. In the delivered condition, terminal X3/1-2 is not assigned. If this terminal is connected at the voltage stated in the specification (see "Permissible voltage range, external signal transmitter") (L to X3/1, N to X3/2), the appliance activates set temperature 2.

Following a one-off activation (signal is present for at least 1 minute), set temperature 2 applies for at least 20 minutes. Set temperature 2 takes priority over set temperature 1. When the relevant set DHW temperature has been reached, the compressor switches off and remains off for a minimum idle time of 20 minutes.

The following diagram illustrates the connections by means of a sample signal sequence from an external signal transmitter.

Example:

- Water temperature = 62 °C
- Set temperature 1 = 61 °C
- Set temperature 2 = 65 °C



A External signal

B Compressor

- 1 20 min. minimum runtime, set temperature 2
- 2 20 min. minimum compressor idle time



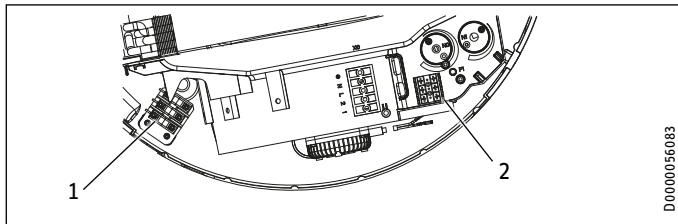
Note

An external signal must be present for at least 60 seconds before the control unit responds to it. For example, this will prevent a brief burst of sunshine from triggering a heat-up process which, in the absence of further sunlight, can no longer be covered using locally generated PV power.

- ▶ Remove the appliance cover (see chapter "Cleaning and maintenance / Removing the appliance cover").

INSTALLATION

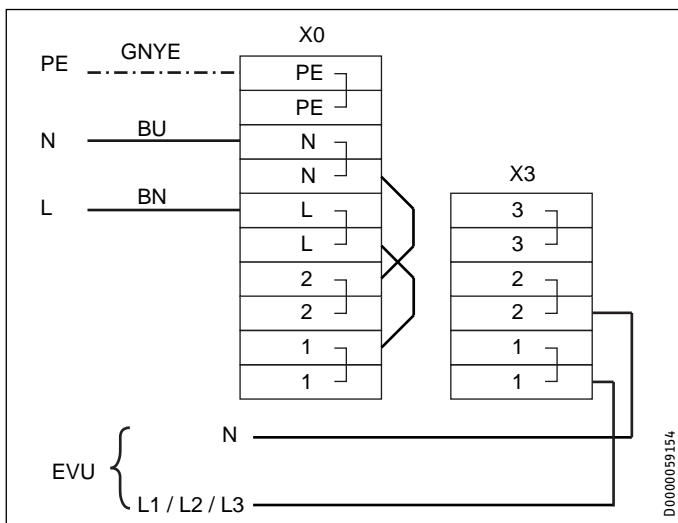
Installation



- 1 Strain relief
- 2 Terminal X3

- ▶ Prepare the cables in such a way that each cable terminates with a wire ferrule.
- ▶ Push the cables through one of the cable entries in the appliance casing.
- ▶ Route the cables through the strain relief.
- ▶ Connect the cables to X3.

Example 1: Power supply utility signal with its own phase



- EVU Power supply utility
 BN Brown
 BU Blue
 GNYE Green/yellow

Example 2: Photovoltaic signal via on-site relay and phase routed outside the appliance

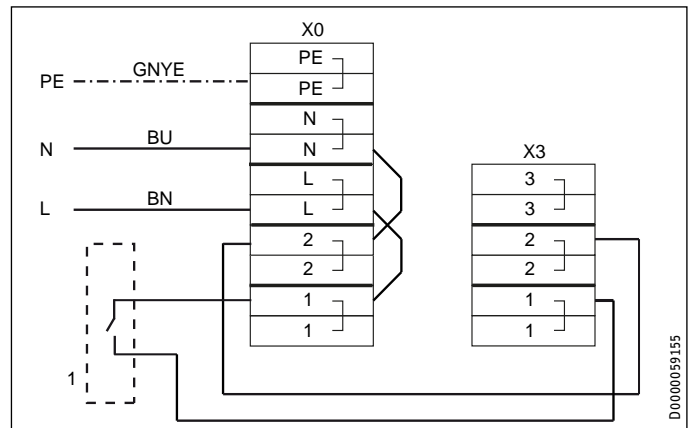


Note

The relay in the inverter must meet the following requirements:

- Potential-free relay (240 V AC / 24 V DC, 1 A) with N/O contact
- Adherence to safety regulations and standards for safety extra low voltage
- The switching output must be able to be programmed such that the relay contact closes or opens if certain limits are exceeded or undershot (inverter output level).

If necessary, check with the inverter manufacturer whether the product meets the stated criteria.



- 1 Inverter (floating contact)
 BN Brown
 BU Blue
 GNYE Green/yellow

The inverter power feed is usually located at a central distribution point (e.g. in the main fuse box).

10.4 Assembling the appliance



Note

Refit the appliance cover after completing your work. See chapter "Maintenance and cleaning / Fitting the appliance cover".

11. Commissioning



WARNING Electrocutation
Never operate the appliance when the casing is open or without a cover.

11.1 Initial start-up



Note
Fill the DHW cylinder before switching on the power supply to the appliance.
The appliance is equipped with boil-dry protection to prevent operation if the DHW cylinder is not completely full of water.



Note
Following an interruption to the power supply, compressor operation remains blocked for at least one minute. The PCB delays the electrical start-up by one minute, during which the appliance initialises. If the compressor subsequently fails to start, it may be locked out by additional safety devices (motor overload relay and high pressure switch). This lockout should be cleared after 1 to 10 minutes.

11.1.1 Filling the DHW cylinder

Fill the DHW cylinder and vent the pipework by following the procedure below:

- ▶ Close the drain valve.
- ▶ Open all DHW draw-off points and the shut-off valve in the cold water supply.
- ▶ Close the DHW draw-off points as soon as water comes out of them.
- ▶ Check the safety valve by leaving it open until water runs out.

11.1.2 Settings / function check

- ▶ Switch the power supply ON.
- ▶ Check the appliance function.
- ▶ Check the function of the safety assembly.

After completing the function check, reducing the set DHW temperature helps to save energy.

- ▶ Establish the customer's comfort requirements and adjust the set DHW temperature accordingly. For hygiene reasons, do not set a DHW temperature of less than 61 °C (see section "Set temperature 1" on page 10 and "Set temperature 2" on page 10). Also ensure compliance with the legislation in force at the installation location.

11.1.3 Appliance handover

- ▶ Explain the appliance function to users and familiarise them with how it works.
- ▶ Make users aware of potential dangers, especially the risk of scalding.
- ▶ Make users aware of critical environmental factors and requirements concerning the installation site.
- ▶ Inform users that water may drip from the safety valve during the heat-up process.
- ▶ Please note that the appliance is not protected against frost and corrosion when it is disconnected from the power supply. At the factory, the appliance is fitted with rechargeable batteries that ensure the power supply to the impressed current anode in the case of a power failure. The batteries must be replaced every three years if the power supply is regularly interrupted by a switching contact or if there is inadequate security of supply. We recommend a maintenance contract for replacing the batteries.
- ▶ Hand over these operating and installation instructions to users for safekeeping.

11.2 Recommissioning



Note
Following an interruption to the power supply, compressor operation remains blocked for at least one minute. The PCB delays the electrical start-up by one minute, during which the appliance initialises.
If the compressor subsequently fails to start, it may be locked out by additional safety devices (motor overload relay and high pressure switch). This lockout should be cleared after 1 to 10 minutes.

If the appliance is switched off due to an interruption to the power supply, no specific measures for restarting are required once the power supply has been restored.

If the "Rapid/comfort heat-up" function was active before the power supply interruption, it is re-enabled with a set temperature of 65 °C once the power supply has been restored.

Emergency mode is not reactivated after an interruption to the power supply.

12. Settings

■ Service menu

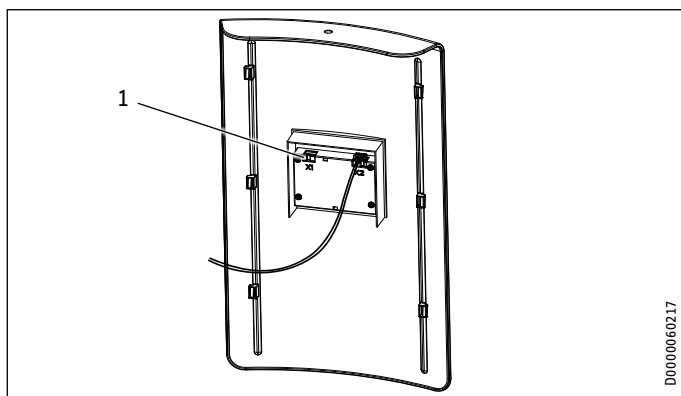


Material losses

Service menu settings shall only be accessed with prior approval from Stiebel Eltron.

To unlock the service menu, you need to connect a service plug or enter a code.

Accessing the service menu with a service plug



1 Slot X1

▶ Plug the service plug into slot X1 on the back of the programming unit.

Accessing the service menu by entering a code



Press the "Menu" button for longer than 3 s. The software version number of the controller PCB appears.

Display	Version number
301	3.1.00



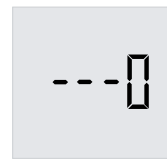
To display the software version number of the programming unit PCB, press the "Plus" button.

Display	Version number
-103	1.3.00



To go to code entry, press the "Minus" button.

To go from the software version number of the controller PCB directly to code entry, press the "Minus" button.



To go to the code digit check, press the "Rapid heat-up" button. The currently active digit flashes.



Set the first digit using the "Plus" and "Minus" buttons.



To set the next digit, press the "Rapid heat-up" button.

To confirm the code after entering all digits, press the "Rapid heat-up" button.

■ Service menu	
<input type="checkbox"/>	Integral sensor offset
<input type="checkbox"/>	Set the cylinder volume
<input type="checkbox"/>	Compressor lockout due to evaporator fault
<input type="checkbox"/>	Clear high pressure lockout
<input type="checkbox"/>	Clear low pressure lockout
<input type="checkbox"/>	Temperature of evaporator fins
<input type="checkbox"/>	Number of times hot gas temperature sensor was triggered
<input type="checkbox"/>	Number of defrost faults
<input type="checkbox"/>	Number of low pressure triggers
<input type="checkbox"/>	Number of high pressure triggers
<input type="checkbox"/>	Hot gas temperature switching value
<input type="checkbox"/>	Fan lead time
<input type="checkbox"/>	Integral sensor replacement
<input type="checkbox"/>	Set value limit

The parameters in this menu are reserved for qualified contractors.

■ Integral sensor offset

You can manually calibrate the integral sensor with the value set. This should only be done after the DHW cylinder has been fully heated up, without any DHW being drawn-off.

Example: The configured, active set temperature is 55 °C. The integral sensor of the appliance checks when the set temperature is reached. If the compressor switches off after heat-up, check the actual temperature (detected by the cylinder top sensor) using the programming unit. If the actual temperature is 60 °C, for example, set the integral sensor offset to 5 K.

Cylinder top sensor temperature = integral sensor temperature + offset



Press the "Menu" button until "lo" appears on the display.



You can change the value using the "Plus" and "Minus" buttons. Setting range: -5 - 5



■ Set the cylinder volume

The cylinder size is required for accurate calculation of the mixed water volume. You can switch the cylinder size between 200 and 300 l using the "Plus" and "Minus" buttons.

If the PCB has been replaced, you will need to set the cylinder size.

If you see the value 9999 in the cylinder size parameter, you must select a suitable cylinder size for the appliance.

INSTALLATION

Settings

Compressor lockout due to evaporator fault

This menu item is only displayed if there is a compressor lockout due to fault code E 64. You can clear the lockout by pressing the "Rapid heat-up" button or performing a power ON reset.

Clear high pressure lockout

The appliance will be locked out if the high pressure sensor responds 5 times within 5 hours.



To clear the high pressure lockout, press the "Rapid heat-up" button.

Clear low pressure lockout

The appliance will be locked out if the low pressure sensor responds 5 times within 5 hours. This menu item allows you to clear the lockout.



Note

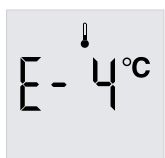
Currently appliances are built without low pressure sensors.

► If this lockout arises, check the jumper on the PCB (X0/L - X1/6 - A1/X2/ND).



To clear the low pressure lockout, press the "Rapid heat-up" button.

Temperature of evaporator fins



The temperature measured by a sensor on the evaporator fins is displayed here.

Number of times hot gas temperature sensor was triggered

The counter indicates how often the hot gas temperature has exceeded the set hot gas temperature switching value during heat-up.



To reset the counter to 0, press the "Rapid heat-up" button.

Number of defrost faults

The number of defrost faults is displayed here. A defrost fault occurs if the temperature for terminating defrosting, as measured at the temperature sensor between the evaporator fins, has not been reached within the specified time frame.



To reset the counter to 0, press the "Rapid heat-up" button.

Number of low pressure triggers



To reset the counter to 0, press the "Rapid heat-up" button.

Number of high pressure triggers



To reset the counter to 0, press the "Rapid heat-up" button.

Hot gas temperature switching value

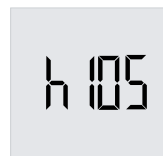


Material losses

Factory default setting: 105 °C

Only a service technician is permitted to change his parameter in line with factory instructions.

If the set hot gas temperature switching value is exceeded, the hot gas temperature counter increments and the set temperature is temporarily reduced to the temperature captured by the integral sensor.



Press the "Menu" button until "h" appears on the display.

You can change this value using the "Plus" and "Minus" buttons. Setting range: 100 - 120 °C



Appliance shutdown

Example: The set temperature is 65 °C. At an actual temperature of 61 °C, for example due to a critical intake temperature, the appliance detects an unacceptably high hot gas temperature. The appliance temporarily reduces the set temperature to 61 °C. The appliance shuts down. Once the charge level has been under-shot (this refers to the currently applicable set value, i.e. 61 °C and not 65 °C), and when the hot gas temperature has dropped again, the compressor restarts and operates with the original set temperature (65 °C). The set temperature is reduced again if the appliance cannot reach this set temperature because the hot gas temperature was previously too high.

■ Fan lead time



Material losses

Factory default setting: 30 s

Only a service technician is permitted to change his parameter in line with factory instructions.

The set value specifies the number of seconds the fan runs before the compressor is enabled.



Press the "Menu" button until "u" appears on the display.



You can change this value using the "Plus" and "Minus" buttons.



■ Replacement sensor

If the integral sensor is faulty, switch this parameter to replacement sensor operation using the "Plus" button.

When replacement sensor operation is active, fault 4 is permanently hidden. The default display shows the cylinder top temperature instead of the mixed water volume.

IE 0 Standard mode

IE 1 Replacement sensor active

■ Set value limit

If set value limiting is active, the lower end of the setting range for the set value is limited to 61 °C. If set value limiting is inactive, the set value can be adjusted to any value within the applicable range (see Set value1/Set value2).

Lt 0 Standard mode

Lt 1 Set value limiting active

13. Appliance shutdown



Material losses

If you disconnect the appliance from the power supply, it is no longer protected against frost or corrosion.

- ▶ Only disconnect the appliance from the power supply for longer periods if you are also draining the DHW cylinder. See chapter "Maintenance / Draining the appliance".

The appliance can only be switched off by interrupting the power supply.

- ▶ Disconnect the appliance from the power supply at the fuse in the distribution board or by unplugging the power plug if the appliance is connected to a socket.

14. Troubleshooting



WARNING Electrocutation

Troubleshooting must only be carried out by a qualified contractor. Prior to all work on the appliance, isolate it from the power supply.



Material losses

If you disconnect the appliance from the power supply, it is no longer protected against frost or corrosion.

- ▶ Only disconnect the appliance from the power supply for longer periods if you are also draining the DHW cylinder.

- ▶ For work inside the appliance, remove the appliance cover (see chapter "Cleaning and maintenance / Removing the appliance cover").

- ▶ If necessary, remove the upper section of the casing jacket (see chapter "Maintenance and cleaning / Removing the casing ring").



Note

Refit the casing ring after completing the work. See chapter "Maintenance and cleaning / Fitting the casing ring").



Note

Refit the appliance cover after completing your work. See chapter "Maintenance and cleaning / Fitting the appliance cover").



Note

Following an interruption to the power supply, compressor operation remains blocked for at least one minute while the appliance initialises.


If the compressor subsequently fails to start, it may be blocked by additional safety devices (motor overload relay, high pressure switch). This lockout can last between 1 and 10 minutes.


INSTALLATION


Troubleshooting

Fault	Cause	► Remedy
No hot water is available.	The impressed current anode is faulty.	Replace the impressed current anode.
The compressor is switched off unexpectedly.	The application limits have been exceeded or undershot. Excessive pressure in the refrigerant circuit. The safety pressure limiter has responded 5 times in 5 hours. The compressor has been switched off.	No action required. Eliminate the cause of the increased pressure in the refrigerant circuit. Wait approx. 5-15 minutes for the appliance to equalise the pressure. The appliance lockout can only be cleared using a service programming unit.
The heating output of the appliance has reduced.	An inadequate air flow across the evaporator is a possible cause.	Check whether the fan is dirty. Check whether the evaporator is dirty. Ensure that the supply and extract air flow are unimpeded.

14.1 Fault codes

		Fault description	Remedy
2	Continuously on	The cylinder top sensor is faulty. The actual temperature display switches from the cylinder top sensor to the integral sensor. The appliance continues to heat without any loss of comfort. The mixed water volume cannot be calculated and is displayed as "- -".	Check that the plug is seated correctly. Measure the resistance of the sensor and compare it with the resistance table. Install the replacement sensor.
4	Continuously on	The integral sensor is faulty. In the event of a faulty integral sensor, the integral sensor is set to the value of the cylinder top sensor, and the mixed water volume is calculated using this value. The appliance continues to heat with a reduced start hysteresis. A mixed water volume is still calculated, based on the assumption that the cylinder top temperature is reached throughout the DHW cylinder.	Check that the plug is seated correctly. Measure the resistance of the sensor and compare it with the resistance table. Install the replacement sensor. In the service menu, use parameter "IE" to switch to standby mode.
6	Flashing	The cylinder top sensor and the integral sensor are faulty. The appliance no longer delivers heat.	Check that the plug is seated correctly. Measure the resistances of the sensor and compare them with the resistance table. Install the replacement sensor. In the service menu, use parameter "IE" to switch to standby mode.

		Fault description	Remedy
8	Flashing	The appliance has ascertained that the DHW cylinder has not been heated within the maximum temperature increase time, despite there being a demand.	Check if a DHW circulation line is installed and whether it is insulated. The total output loss is greater than the heating output of the appliance. Check if a DHW circulation pump is installed and whether it is controlled according to temperature or time. If necessary, install a corresponding control unit. Check the refrigerant circuit for leaks.
16	Continuously on	A short circuit of the impressed current anode has occurred or the protective anode is faulty.	Check the cables and relevant plug-in connections of the impressed current anode according to the connection diagram and replace faulty cables. Check the impressed current anode in the heating element/anode assembly and replace if necessary.
32	Flashing	The appliance is not being operated with a completely filled DHW cylinder. The appliance is not heating. The anode current is interrupted. The appliance is not heating.	Fill the DHW cylinder of the appliance. The fault code disappears and the appliance starts. Check the contacts of the impressed current anode.
64	Continuously on	The defrost temperature has not yet been reached after the maximum defrost time has elapsed. The compressor is not working. The temperature of the intake air is below the lower application limit.	Check the position of the evaporator sensor in the evaporator. Wait for higher ambient temperatures. Ensure that the application limit is not undershot.
128	Continuously on	There is no communication between the controller and the programming unit. The most recently selected set values are active. The appliance continues to heat.	Check that the plug is seated correctly and replace the connecting cable if necessary. Replace the programming unit PCB.
256	Flashing	Manually activated emergency mode (only electric emergency/booster heater active)	See chapter "Appliance description / Emergency mode".
E 1	Flashing	The temperature sensor on the air inlet is faulty.	Check that the plug is seated correctly. Measure the resistance of the sensor and compare it with the resistance table. Replace the sensor.
E 2	Flashing	The temperature sensor on the evaporator is faulty.	Check that the plug is seated correctly. Measure the resistance of the sensor and compare it with the resistance table. Replace the sensor.
E 4	Continuously on	The hot gas temperature sensor is faulty. The appliance continues to heat. To protect the appliance, the (possibly higher) set temperature is reduced to the set value for setback.	Check that the plug is seated correctly. Measure the resistance of the sensor and compare it with the resistance table. Replace the sensor.

		Fault description	Remedy
E 16	Continuously on	The high pressure switch has responded. Compressor heating mode is temporarily blocked. Compressor heating mode will continue as soon as the pressure has normalised.	No action required. After consultation with the customer, reduce the set temperature if required. Increase the charge level with the programming unit. Check the offset of the integral sensor to the cylinder top sensor and adjust if necessary. Check the high pressure switching point and replace the high pressure switch if necessary.
E 32	Continuously on	An electrical fault has occurred.	A1/X2: Check whether the power supply has been interrupted. Then reset the fault with the corresponding menu option.
E 64	Flashing	Evaporator temperature < Minimum evaporator temperature	Check whether the evaporator is clogged with deposits. If required, clean the evaporator with clear water without cleaning agents or other additives. Check whether air can flow freely through the appliance. Check whether the fan is blocked or faulty. Replace the fan if necessary. Check the function and setting of the expansion valve. Check whether the appliance has defrosted.
E 128	Flashing	A permanent pressure switch fault has occurred. A pressure fault occurred multiple times within a defined pressure fault evaluation time.	Check the relevant fault counter and look up the corresponding fault code remedy: E 16 (high pressure), E 32 (electrical wiring fault). Once the cause of the fault has been eliminated, clear the fault code in menu item "Hd 1" by pressing the "Rapid heat-up" button.

14.2 Resetting the safety pressure limiter

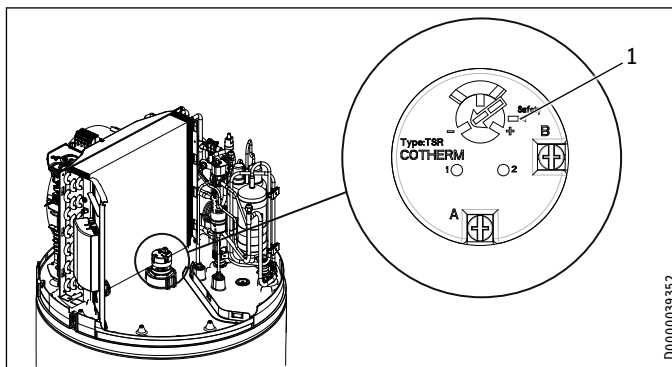
The safety pressure limiter responds in the event of unacceptably high pressure in the refrigerant circuit. If the safety pressure limiter responds 5 times in 5 hours, compressor operation is blocked.

- ▶ Eliminate the cause of the increased pressure in the refrigerant circuit.
- ▶ Wait approx. 5-15 minutes for the appliance to equalise the pressure.

The appliance lockout can only be cleared using a service programming unit.

14.3 WWK 222 H / WWK 302 H: Resetting the high limit safety cut-out

If the DHW cylinder is overheated, the high limit safety cut-out switches off the electric emergency/booster heater to protect the appliance.



- 1 Reset button for high limit safety cut-out
 - ▶ Once the cause of the fault has been removed, press the reset button of the high limit safety cut-out on the rod thermostat. To do so, remove the appliance cover.

14.4 Motor overload relay

The motor overload relay will shut down the compressor if it is overloaded because of excessive thermal load.

- ▶ Remove the cause.

After a short cooling period, the motor overload relay will restart the compressor automatically.

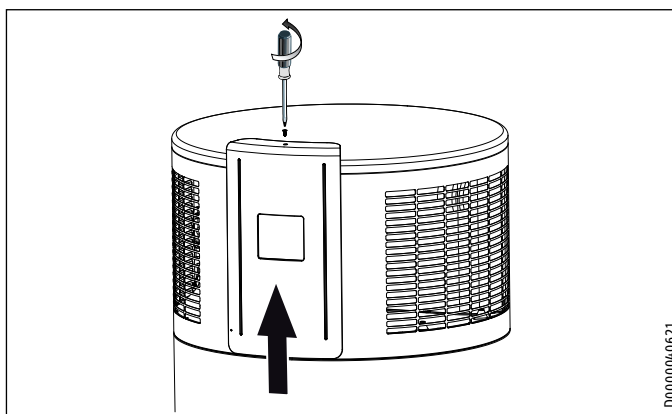
15. Maintenance



WARNING Electrocutation

Prior to all work on the appliance, isolate it from the power supply.

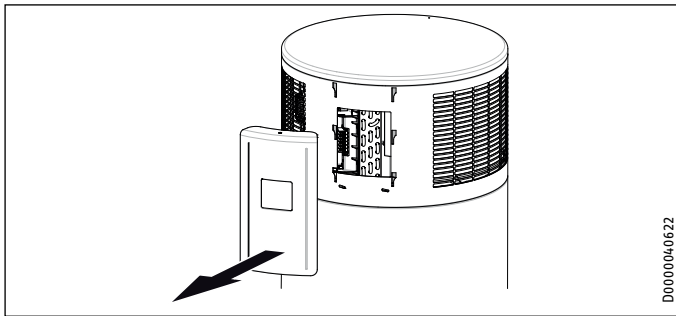
15.1 Removing the appliance cover



- ▶ Undo the screw (Torx) that secures the programming/control cover to the appliance.
- ▶ Push the programming/control cover upwards.

INSTALLATION

Maintenance



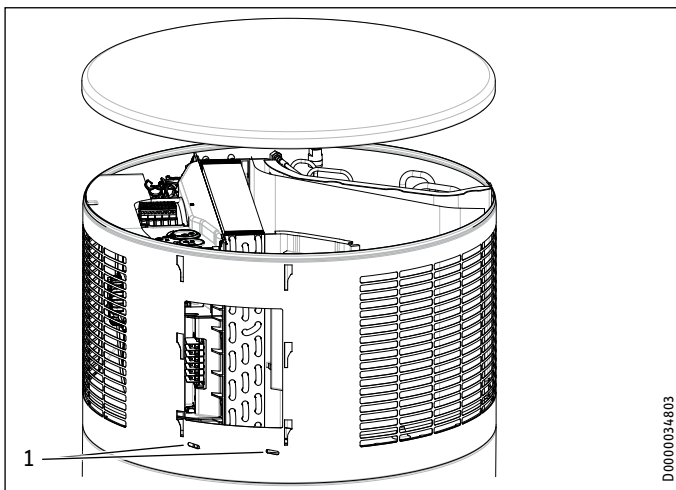
D0000040622

- ▶ Carefully remove the cover.
- ▶ A cable connects the operating controls to the appliance PCB. If necessary, disconnect the plug at the back of the programming/control cover to fully remove it.
- ▶ Undo the plug-in connection in the cable that runs to the battery pack at the back of the cover.
- ▶ Carefully lift away the appliance cover and release the earth cable that runs from the appliance control panel to the cover.

Note
Refit the appliance cover after completing your work. See chapter "Maintenance and cleaning / Fitting the appliance cover").

15.2 Removing the casing ring

Note
If you require more space to work inside the appliance, you can remove the casing ring on the upper section of the appliance.



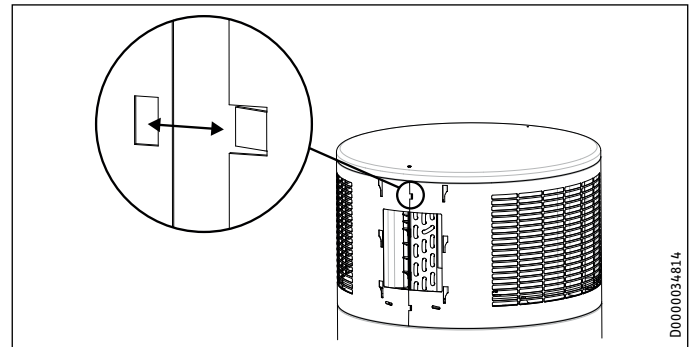
D0000034803

1 Fixing screws on casing ring

The casing ring is fastened with screws.

- ▶ Undo the fixing screws on the casing ring.
- ▶ Remove the condensate drain bend and pipe collar of the drain. Turn anti-clockwise to release.

Material losses
Inside the appliance, an earth cable is connected to the casing ring. Release the earth cable in order to be able to remove the casing ring.



D0000034814

The casing ring overlaps along the joint. A tab on one end clips into the recess at the other end of the casing ring.

- ▶ Ease the casing ring apart, until it can be removed or slid downwards.

Note
Refit the casing ring after completing the work. See chapter "Maintenance and cleaning / Fitting the casing ring").

15.3 Cleaning the evaporator

WARNING Injury
The evaporator consists of numerous sharp-edged fins.
▶ Be careful when cleaning the evaporator and wear protective clothing, especially safety gloves.

To keep the appliance performance levels as high as possible, check and clean the appliance evaporator as often as necessary.

- ▶ Undo the screw that fastens the appliance cover to the top of the programming/control cover.
- ▶ Remove the programming/control cover and the appliance cover.
- ▶ Carefully clean the evaporator fins. Only use water and a soft brush for this. Never use acidic or alkaline cleaning agents.

15.4 Draining the cylinder

WARNING Burns
Hot water may escape when draining the DHW cylinder.

To drain the DHW cylinder, e.g. when shutting the appliance down, proceed as follows.

- ▶ Isolate the appliance from the power supply.
- ▶ Close the shut-off valve in the cold water supply line.

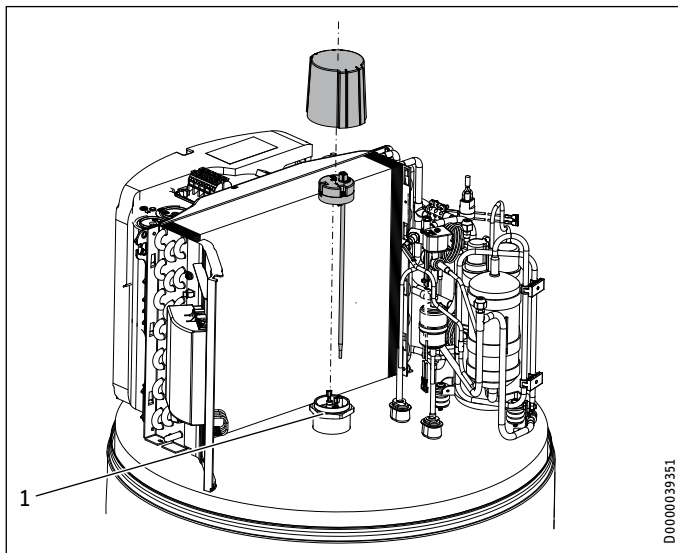
The DHW cylinder is drained via the cold water supply line.

- ▶ Open the drain valve installed in the cold water supply line (see chapter "Water connection"). If no drain valve has been installed, undo the cold water supply line at the "Cold water inlet" connection.
- ▶ To vent the system, undo the DHW line connected to the "DHW outlet" connection.

Some residual water will remain in the bottom of the DHW cylinder.

15.5 Descaling the electric emergency/booster heater

Only descale the flange of the emergency/booster heater after disassembly. Never treat the inside of the DHW cylinder or the impressed current anode with descaling agents. The electric emergency/booster heater is screwed into the DHW cylinder of the appliance at a central point at the top.



1 Electric emergency/booster heater with protective anode

15.6 Valves

Regularly check the valves in the system (safety valve, pressure reducing valve, drain valve) to ensure the operational reliability of the appliance. The amount of limescale deposits depends on the local water quality.

- ▶ Check all valves in the system and remove limescale deposits.
- ▶ Replace the valves if necessary.
- ▶ Check the function of the valves.

15.7 Condensate drain

- ▶ Check whether the condensate drain is clear of obstructions. Remove any dirt.

15.8 Replacing the power cable

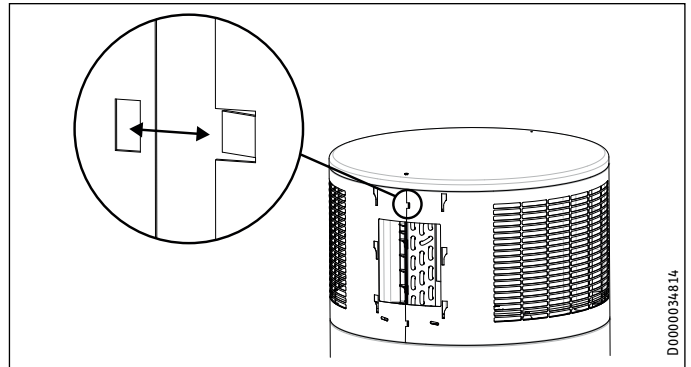


WARNING Electrocutation
The power cable must only be replaced (for example if damaged) by a qualified contractor.

15.9 Fitting the casing ring



WARNING Electrocutation
▶ Reconnect the earth cable to the casing ring.



- ▶ Fit the upper casing ring. The casing ring overlaps along the joint. A tab on one end clips into the recess at the other end of the casing ring.
- ▶ Secure the casing ring with screws.
- ▶ Fit the pipe collar of the condensate drain and the condensate drain bend.

15.10 Protective anode and battery change

The appliance is equipped with a maintenance-free impressed current anode that protects the cylinder from corrosion when it is connected to the power supply. At the factory, the appliance is fitted with rechargeable batteries that ensure the power supply to the impressed current anode in the case of a power failure. The appliance power supply must not be interrupted for more than 16 hours.

If the power supply is regularly interrupted by a switching contact or the security of supply is inadequate, the batteries of the impressed current anode must be replaced every three years. Failure to comply may result in damage to the appliance. If regular interruptions to the power supply are not anticipated and there is security of supply, no maintenance of the batteries is required and the appliance is maintenance-free in this regard.

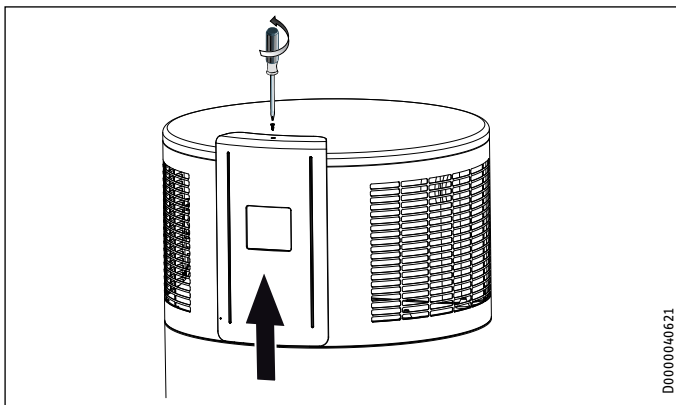


Material losses
Never use batteries that cannot be charged. Only rechargeable NiMH batteries are permissible. Batteries may be damaged in the appliance. Without a power supply, the impressed current anode and the cylinder would not be protected against corrosion.

The batteries are secured at the back of the programming/control cover.

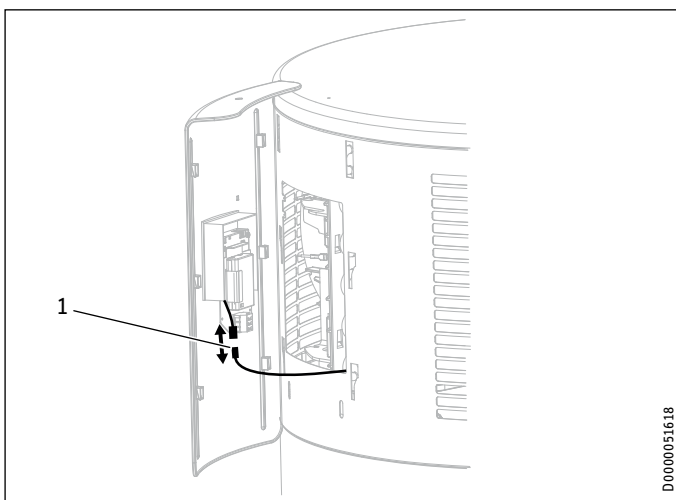
INSTALLATION

Maintenance



D0000040621

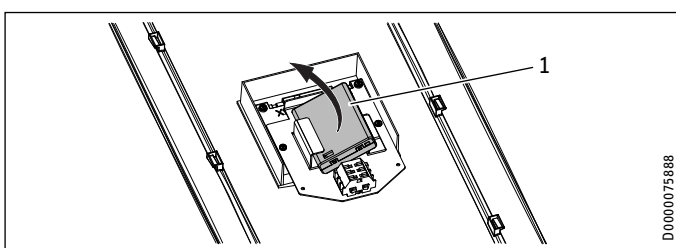
- ▶ Undo the screw securing the cover.
- ▶ Carefully remove the cover so that the cables running from the batteries to the impressed current anode in the appliance are not pulled out.



D0000051618

1 Plug-in connection

- ▶ Undo the plug-in connection by pressing the catches on both sides.



D0000075888

1 Battery compartment

- ▶ Carefully pull the battery compartment on the right-hand side forward.
- ▶ Remove the battery compartment from the retainer.
- ▶ Open the battery compartment using a screwdriver.
- ▶ Replace the batteries (NiMH, type AAA \geq 800 mAh).



Material losses

Make sure that the batteries are inserted properly and the right way round, because otherwise there will be no corrosion protection in the event of interruptions to the power supply.

- ▶ Close the battery compartment using a screwdriver.
- ▶ Push the battery compartment into the retainer.
- ▶ Reconnect it to the appliance with the plug-in connection.

15.11 Fitting the appliance cover



WARNING Electrocutation

- ▶ Reconnect the earth cable to the appliance cover.

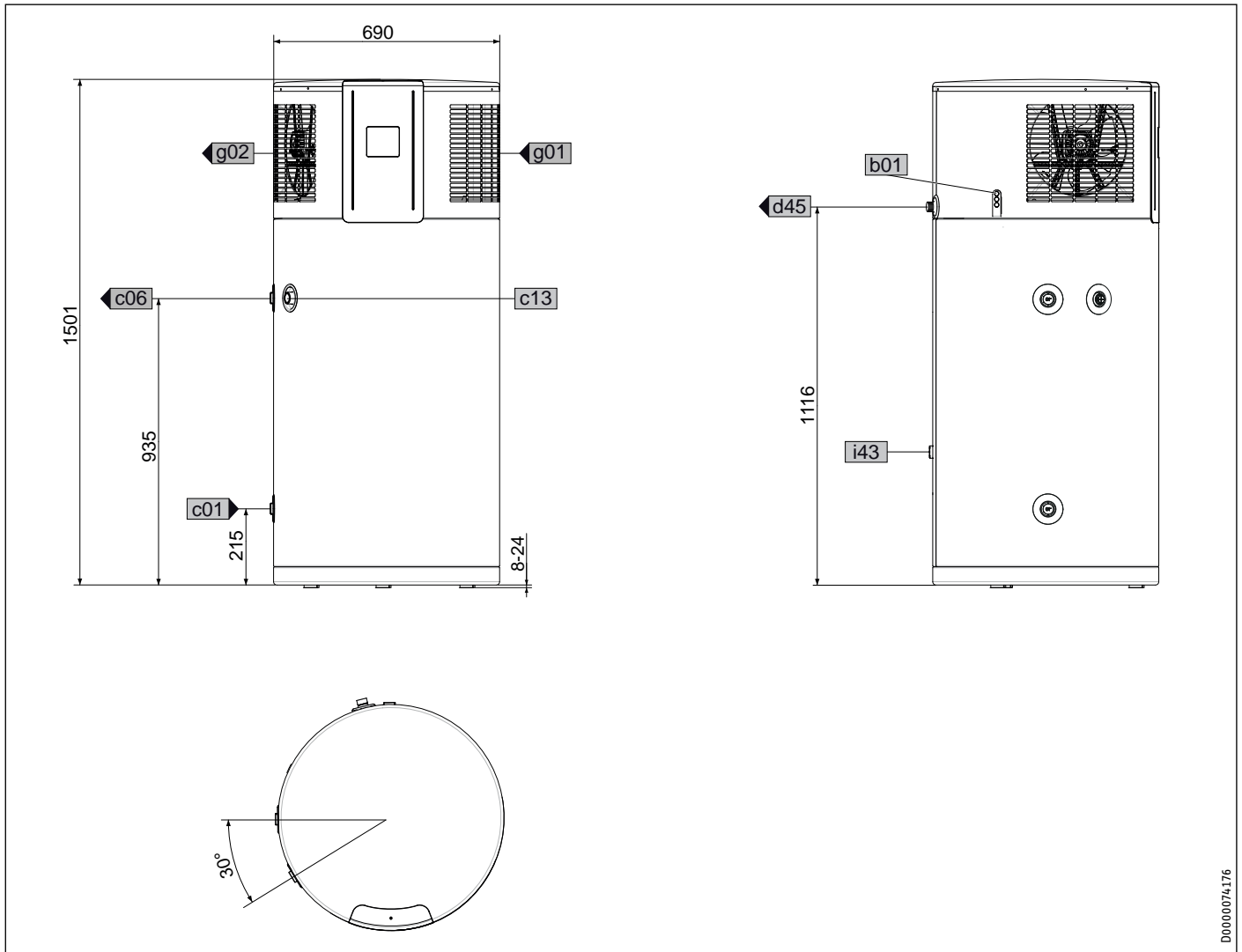
- ▶ Place the cover back on the appliance.
- ▶ Press the cover into the bead around the casing ring.
- ▶ Connect the cable linking the batteries with the internal control unit at the back of the programming/control cover.
- ▶ Connect the cable linking the programming unit to the PCB inside the appliance at the back of the programming/control cover.
- ▶ Insert the programming/control cover.
- ▶ Use the screw to secure the programming/control cover at the top of the appliance.

INSTALLATION Specification

16. Specification

16.1 Dimensions and connections

16.1.1 WWK 222 / WWK 222 H

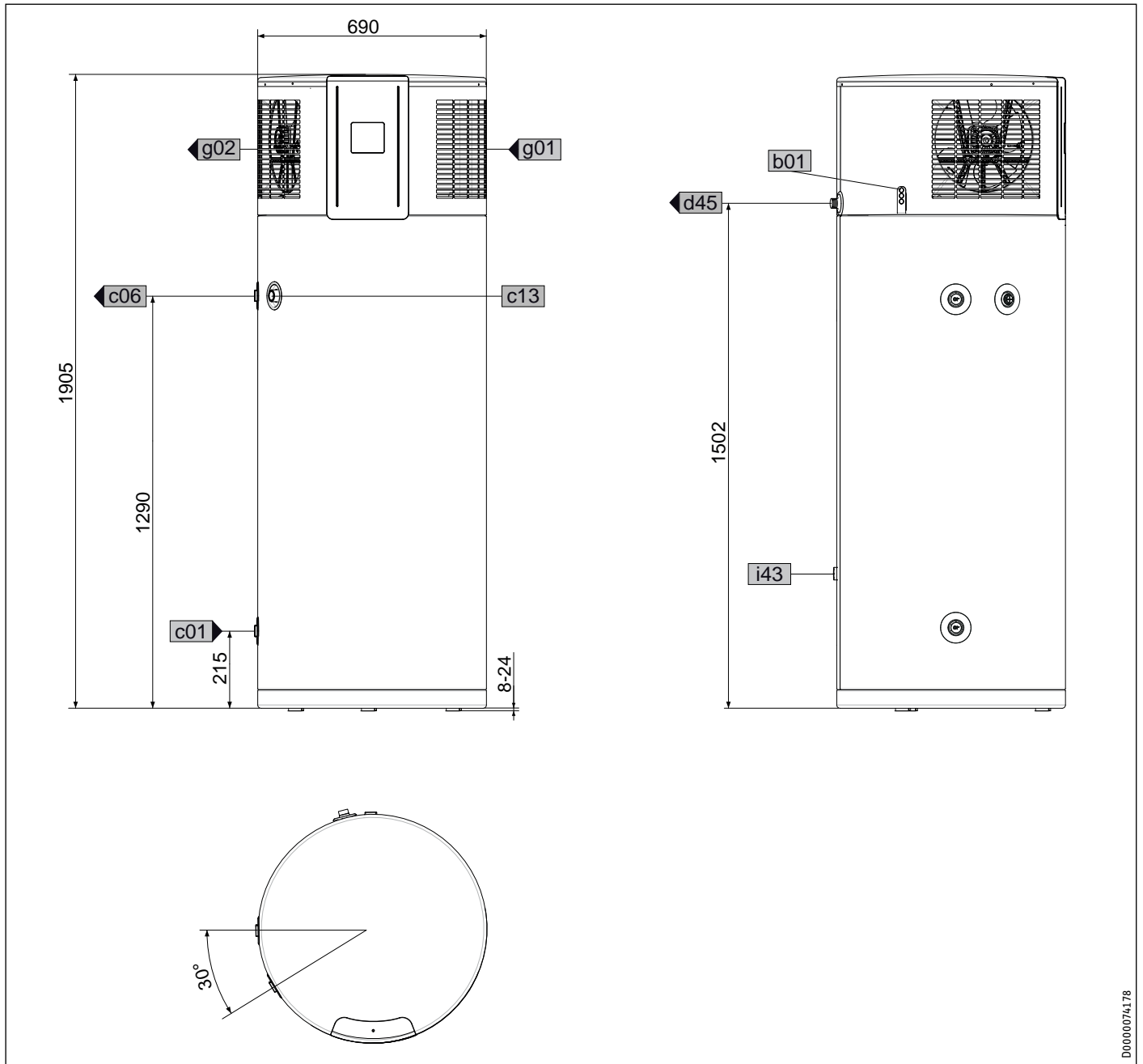


D0000074.176

		WWK 222	WWK 222 H
b01	Entry electrical cables		
c01	Cold water inlet	Male thread	G 1
c06	DHW outlet	Male thread	G 1
c13	T&P valve	Female thread	Rp 3/4
d45	Condensate drain	Male thread	G 3/4
g01	Air intake		
g02	Air discharge		
i43	Cover for manufacturing aperture		

INSTALLATION Specification

16.1.2 WWK 302 / WWK 302 H

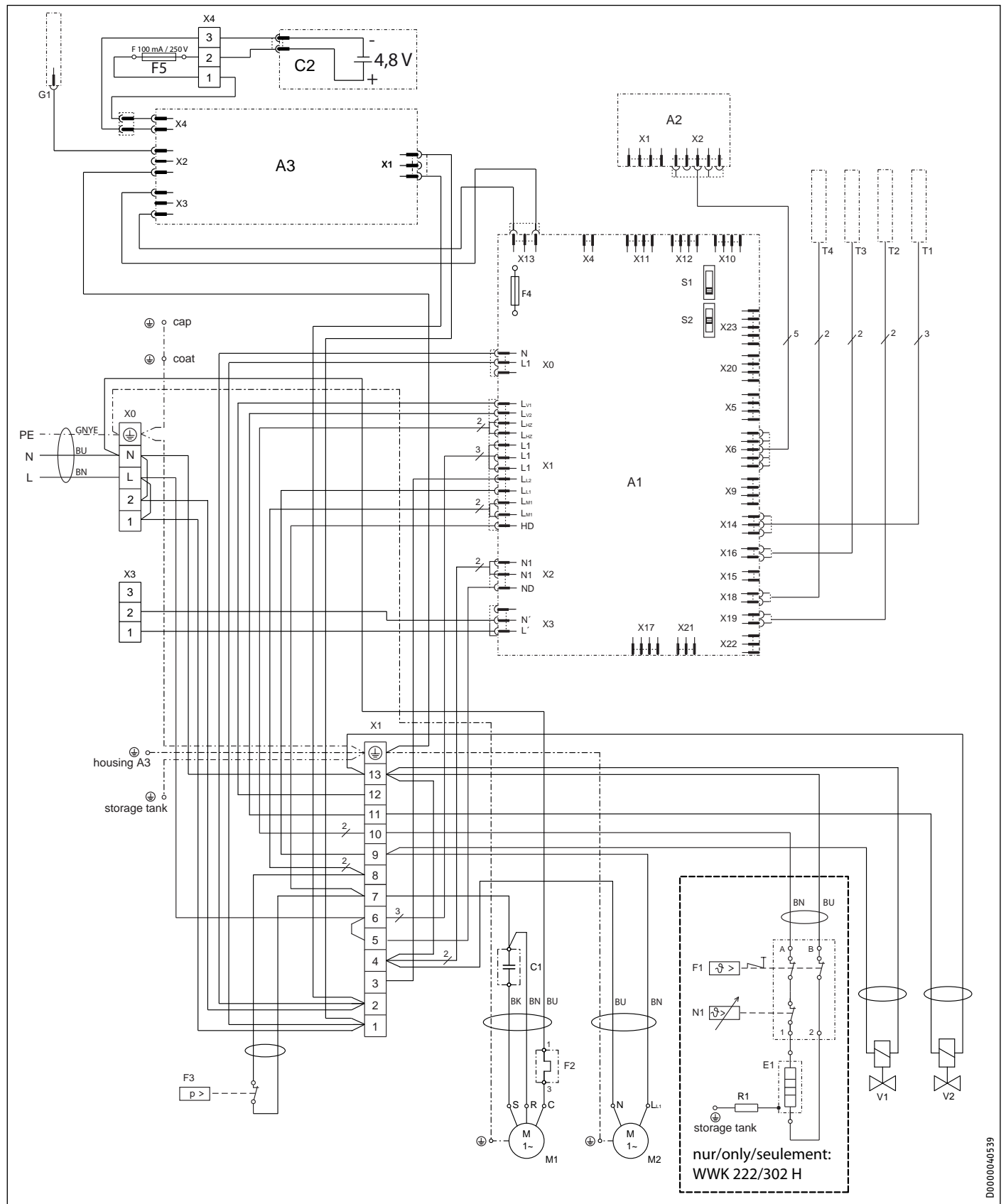


D0000074178

		WWK 302	WWK 302 H
b01	Entry electrical cables		
c01	Cold water inlet	Male thread	G 1
c06	DHW outlet	Male thread	G 1
c13	T&P valve	Female thread	Rp 3/4
d45	Condensate drain	Male thread	G 3/4
g01	Air intake		
g02	Air discharge		
i43	Cover for manufacturing aperture		

INSTALLATION Specification

16.2 Wiring diagram



INSTALLATION

Specification

A1	Electronic assembly (control unit)	N1	Thermostat TSR
A2	Electronic assembly (programming unit)	R1	Resistor
A3	Electronic assembly (electrical corrosion protection)	S1	DIP switch (operating mode)
C1	Capacitor	S2	DIP switch
C2	Battery pack	T1	Temperature sensor cylinder top/int.
E1	Heating element	T2	Temperature sensor, hot gas
F1	High limit safety cut-out TSR	T3	Temperature sensor, air intake
F2	Motor overload relay M1	T4	Temperature sensor, evaporator
F3	High pressure switch	V1	Solenoid valve (live in heating mode)
F4	Fuse	V2	Solenoid valve (live in defrost mode)
F5	Fuse	X0	Mains terminal
G1	Impressed current anode	X1	Terminal
M1	Compressor	X3	Terminal
M2	Fan	X4	Terminal, battery pack

16.3 Fault conditions



WARNING Burns

In the case of a fault, temperatures up to the high limit safety cut-out limit can occur (see chapter "Specification / Data table").

INSTALLATION Specification

16.4 Data table

		WK 222	WK 222 H	WK 302	WK 302 H
		231209	233209	231211	232905
Hydraulic data					
Nominal capacity	l	220	220	302	302
Application limits					
DHW temperature with heat pump	°C	61	61	61	61
Max. DHW temperature with heat pump	°C	65	65	65	65
Max. DHW temperature with emergency/booster heater	°C	65	65	65	65
High limit safety cut-out	°C	92	92	92	92
Min./max. application limits of heat source for heat pump operation	°C	-5/+42	-5/+42	-5/+42	-5/+42
Min./max. application limits for cylinder ambient temperature	°C	-5/+55	-5/+55	-5/+55	-5/+55
Min. installation room volume (recirculation air mode, general domestic use)	m ³	13	13	13	13
Max. permissible operating pressure, cold water/DHW	MPa	0.85	0.85	0.85	0.85
Min./max. conductivity, potable water	µS/cm	100-1500	100-1500	100-1500	100-1500
Annual Average Coefficient of Performance (Australia)					
ACOP (AS/NZS 4234 climate zone 2 medium load)		3.94	3.94	3.58	3.58
Values					
Temperature setting range, DHW	°C	61-65	61-65	61-65	61-65
Type of anode		Maintenance-free impressed current anode	Maintenance-free impressed current anode	Maintenance-free impressed current anode	Maintenance-free impressed current anode
Air flow rate	m ³ /h	550	550	550	550
Recommended number of users		≤ 4	≤ 4	≤ 6	≤ 6
Energy data					
DHW heating energy efficiency class (load profile), indoor air		A+ (L)	A+ (L)	A (XL)	A (XL)
Output data to EN 16147					
Nominal DHW temperature (EN 16147)	°C	61	61	61	61
Nominal load profile (EN 16147)		L	L	XL	XL
Heating output					
Average heating output (A15 / W10-55)	kW	1.6	1.6	1.6	1.6
Power consumption					
Average power consumption of heat pump (A15 / W10-55)	kW	0.5	0.5	0.5	0.5
Max. heat pump power consumption (excl. start-up)	kW	0.65	0.65	0.65	0.65
Power consumption, emergency/booster heater	kW		1.5		1.5
Max. power consumption, heat pump + emergency/booster heater	kW		2.2		2.2
Electrical data					
Rated voltage	V	230	230	230	230
Power supply		1/N/PE 220-240 V 50/60 Hz	1/N/PE 220-240 V 50/60 Hz	1/N/PE 220-240 V 50/60 Hz	1/N/PE 220-240 V 50/60 Hz
Permissible voltage range, external signal transmitter		~ 220-240 V 50/60 Hz	~ 220-240 V 50/60 Hz	~ 220-240 V 50/60 Hz	~ 220-240 V 50/60 Hz
Max. operating current	A	3.18	9.7	3.18	9.7
Max. starting current	A	15.4	23.44	15.4	23.44
Fuse protection	A	C10	C16	C10	C16
Sound emissions					
Sound power level (EN 12102)	dB(A)	60	60	60	60
Average sound pressure level at 1 m distance, free field	dB(A)	45	45	45	45
Versions					
IP rating		IP 24	IP 24	IP 24	IP 24
Refrigerant		R134a	R134a	R134a	R134a
Refrigerant charge	kg	0.85	0.85	0.85	0.85
Global warming potential of the refrigerant (GWP100)		1430	1430	1430	1430
CO ₂ equivalent (CO ₂ e)	t	1.216	1.216	1.216	1.216
Power cable length approx.	mm	2000	2000	2000	2000
Dimensions					
Height	mm	1501	1501	1905	1905
Diameter	mm	690	690	690	690
Height when tilted	mm	1652	1652	2026	2026
Height when tilted incl. packaging	mm	1895	1895	2230	2230
Packing unit dimensions height/width/depth	mm	1740/740/740	1740/740/740	2100/740/740	2100/740/740
Weights					
Weight, empty	kg	120	120	135	135

INSTALLATION

Specification

Connections	WWK 222	WWK 222 H	WWK 302	WWK 302 H
Condensate connection	G 3/4	G 3/4	G 3/4	G 3/4
Safety valve connection	Rp 3/4	Rp 3/4	Rp 3/4	Rp 3/4
Water connection	G 1 (with adaptor Rp 3/4 fem.)	G 1 (with adaptor Rp 3/4 fem.)	G 1 (with adaptor Rp 3/4 fem.)	G 1 (with adaptor Rp 3/4 fem.)

The output data refers to new appliances with clean heat exchangers.

Nominal data to EN 16147 – heat pump for recirculation air

16.5 Standardised output data

Information on determining and interpreting the specified standardised output data

Standard: EN 16147

The output data specifically mentioned in text, diagrams and technical datasheets has been determined in line with the test conditions described in the standard shown in the heading of this chapter.

Generally, these standardised test conditions will not fully meet the conditions found at the installation site of the system user. Depending on the chosen test method and the extent to which the selected method deviates from the conditions described in the standard shown in the heading of this chapter, any deviations can have a considerable impact. Additional factors that have an influence on the test values are the measuring equipment, the system configuration, the age of the system and the flow rates.

A confirmation of the specified output data can only be obtained if the conditions applicable to the relevant test match those of the standard shown in the heading of this chapter.

Guarantee

The guarantee conditions of our German companies do not apply to appliances acquired outside of Germany. In countries where our subsidiaries sell our products a guarantee can only be issued by those subsidiaries. Such guarantee is only granted if the subsidiary has issued its own terms of guarantee. No other guarantee will be granted.

We shall not provide any guarantee for appliances acquired in countries where we have no subsidiary to sell our products. This will not affect warranties issued by any importers.

Environment and recycling

We would ask you to help protect the environment. After use, dispose of the various materials in accordance with national regulations.

WARRANTY

Warranty Stiebel Eltron Australia Only - According to national regulations in Australia

Warranty for Heat Pumps – Models WWK 222, WWK 222 H, WWK 302 and WWK 302 H

Who gives the warranty

1. The warranty is given by Stiebel Eltron (Aust) Pty Ltd (A.B.N. 82 066 271 083) of 294 Salmon Street, Port Melbourne, Victoria, 3207 (“we”, “us” or “our”).

The warranty

2. This warranty applies to Stiebel Eltron Heat Pumps – Models WWK 222, WWK 222 H, WWK 302 and WWK 302 H (the “unit”) manufactured after 1 July 2015.
3. Subject to the warranty exclusions we will repair or replace, at our absolute discretion, a faulty component in your unit free of charge if it fails to operate in accordance with its specifications during the warranty period.
4. If we repair or replace a faulty component to your unit under this warranty, the warranty period is not extended from the time of the repair or replacement.
5. The warranty period commences on the date of completion of the installation of the unit. Where the date of completion of installation is not known, then the warranty period will commence 2 months after the date of manufacture.
6. The warranty period for a unit used for domestic purposes is shown in the table below. Domestic purposes means that the unit is used in a domestic dwelling.

Component	Warranty period
Cylinder and condenser	5 years
Sealed refrigeration system, including compressor, evaporator, valves and associated pipe work. All other electrical components.	2 years
T&P relief valve	1 year

7. The warranty period for a unit used for commercial purposes is shown in the table below. Commercial purposes means that the unit is used for a non-domestic purpose and includes but not limited to being used in a motel, hotel, mining camp or nursing home.

Component	Warranty period
Cylinder and condenser	2 years
Sealed refrigeration system, including compressor, evaporator, valves and associated pipe work. All other electrical components.	2 years
T&P relief valve	1 year

Your entitlement to make a warranty claim

8. You are entitled to make a warranty claim if:
 - 8.1. you own the unit or if you have the owner’s consent to represent the owner of the unit;
 - 8.2. you contact us within a reasonable time of discovering the problem with the unit;

How you make a warranty claim

9. To make a warranty claim you must provide us with the following information:
 - 9.1. The model number of the unit;
 - 9.2. A description of the problem with the unit;
 - 9.3. The name, address and contact details (such as phone number and e-mail address) of the owner;
 - 9.4. The address where the unit is installed and the location (e.g. at side of house);
 - 9.5. The serial number of the unit;
 - 9.6. The date of purchase of the unit and the name of the seller of the unit;
 - 9.7. The date of installation of the unit;
 - 9.8. A copy of the certificate of compliance when the unit was installed.
10. The contact details for you to make your warranty claim are:

Name: Stiebel Eltron (Aust) Pty Ltd

Address: 294 Salmon Street, Port Melbourne, Victoria, 3207

Telephone: 1800 153 351 (8.00 am to 5.00 pm AEST Monday to Friday)

Contact person: Customer Service Representative

E-mail: service@stiebel.com.au
11. We will arrange a suitable time with you to inspect and test the unit.

Warranty exclusions

12. We may reject your warranty claim if:
- 12.1. The unit was not installed by a registered and qualified plumber.
 - 12.2. The unit was not installed and commissioned:
 - a) in Australia;
 - b) in accordance with the Operating and Installation Guide; and
 - c) in accordance with the relevant statutory and local requirements of the State or Territory in which the unit is installed.
 - 12.3. The unit has not been operated or maintained in accordance with the Operating and Installation Guide.
 - 12.4. The unit does not bear its original Serial Number or Rating Label.
 - 12.5. The unit was damaged by any or any combination of the following:
 - a) normal fair wear and tear;
 - b) connection to an incorrect water supply, for example, (but not limited to) connection to water from a bore, dam or swimming pool;
 - c) connection to an incorrect power supply;
 - d) connection to faulty equipment, such as damaged valves;
 - e) insufficient air flow;
 - f) foreign matter in the water supply, such as sludge or sediment;
 - g) corrosive or acidic elements in the water supply, where the Langelier Saturation Index (LSI) is outside the range $-1.0 < \text{LSI} < 0.8$;
 - h) inappropriate current impressed anode;
 - i) inappropriate current impressed anode battery maintenance;
 - j) accidental damage;
 - k) uncontrollable natural phenomena, including damage by flood, storm, fire, lightning strike and the like;
 - l) excessive water pressure, negative water pressure (partial vacuum) or water pressure pulsation;
 - m) ingress of vermin.
 - 12.6. The unit was damaged before it was installed e.g. it was damaged in transit.
 - 12.7. An unauthorised person has modified, serviced, repaired or attempted to repair the unit without our consent.
 - 12.8. Non genuine parts other than those manufactured or approved by us have been used on the unit.
13. We may charge you:
- 13.1. for any additional transport costs if the unit is installed more than 30 kilometres from our closest authorised service technician.
 - 13.2. for the extra time it takes our authorised service technician to access the unit for inspection and testing if it is not sited in accordance with the Operating and Installation Guide and not readily accessible for inspection.
 - 13.3. for any extra costs of our authorised service technician to make the unit safe for inspection.

NOTES

Deutschland

STIEBEL ELTRON GmbH & Co. KG
Dr.-Stiebel-Straße 33 | 37603 Holzminden
Tel. 05531 702-0 | Fax 05531 702-480
info@stiebel-eltron.de
www.stiebel-eltron.de

Verkauf

Kundendienst Ersatzteilverkauf

Tel. 05531 702-110 | Fax 05531 702-95108 | info-center@stiebel-eltron.de
Tel. 05531 702-111 | Fax 05531 702-95890 | kundendienst@stiebel-eltron.de
www.stiebel-eltron.de/ersatzteile | ersatzteile@stiebel-eltron.de

Australia

STIEBEL ELTRON Australia Pty. Ltd.
294 Salmon Street | Port Melbourne VIC 3207
Tel. 03 9645-1833 | Fax 03 9644-5091
info@stiebel-eltron.com.au
www.stiebel-eltron.com.au

Austria

STIEBEL ELTRON Ges.m.b.H.
Gewerbegebiet Neubau-Nord
Margaritenstraße 4 A | 4063 Hörsching
Tel. 07221 74600-0 | Fax 07221 74600-42
info@stiebel-eltron.at
www.stiebel-eltron.at

Belgium

STIEBEL ELTRON bvba/sprl
't Hofveld 6 - D1 | 1702 Groot-Bijgaarden
Tel. 02 42322-22 | Fax 02 42322-12
info@stiebel-eltron.be
www.stiebel-eltron.be

China

STIEBEL ELTRON (Tianjin) Electric Appliance
Co., Ltd.
Plant C3, XEDA International Industry City
Xiqing Economic Development Area
300385 Tianjin
Tel. 022 8396 2077 | Fax 022 8396 2075
info@stiebeleltron.cn
www.stiebeleltron.cn

Czech Republic

STIEBEL ELTRON spol. s r.o.
Dopraváků 749/3 | 184 00 Praha 8
Tel. 251116-111 | Fax 235512-122
info@stiebel-eltron.cz
www.stiebel-eltron.cz

Finland

STIEBEL ELTRON OY
Kapinakuja 1 | 04600 Mäntsälä
Tel. 020 720-9988
info@stiebel-eltron.fi
www.stiebel-eltron.fi

France

STIEBEL ELTRON SAS
7-9, rue des Selliers
B.P 85107 | 57073 Metz-Cédex 3
Tel. 0387 7438-88 | Fax 0387 7468-26
info@stiebel-eltron.fr
www.stiebel-eltron.fr

Hungary

STIEBEL ELTRON Kft.
Gyár u. 2 | 2040 Budaörs
Tel. 01 250-6055 | Fax 01 368-8097
info@stiebel-eltron.hu
www.stiebel-eltron.hu

Japan

NIHON STIEBEL Co. Ltd.
Kowa Kawasaki Nishiguchi Building 8F
66-2 Horikawa-Cho
Saiwai-Ku | 212-0013 Kawasaki
Tel. 044 540-3200 | Fax 044 540-3210
info@nihonstiebel.co.jp
www.nihonstiebel.co.jp

Netherlands

STIEBEL ELTRON Nederland B.V.
Daviottenweg 36 | 5222 BH 's-Hertogenbosch
Tel. 073 623-0000 | Fax 073 623-1141
info@stiebel-eltron.nl
www.stiebel-eltron.nl

New Zealand

Stiebel Eltron NZ Limited
61 Barrys Point Road | Auckland 0622
Tel. +64 9486 2221
info@stiebel-eltron.co.nz
www.stiebel-eltron.co.nz

Poland

STIEBEL ELTRON Polska Sp. z O.O.
ul. Działkowa 2 | 02-234 Warszawa
Tel. 022 60920-30 | Fax 022 60920-29
biuro@stiebel-eltron.pl
www.stiebel-eltron.pl

Russia

STIEBEL ELTRON LLC RUSSIA
Urzhumskaya street 4,
building 2 | 129343 Moscow
Tel. +7 495 125 0 125
info@stiebel-eltron.ru
www.stiebel-eltron.ru

Slovakia

STIEBEL ELTRON Slovakia, s.r.o.
Hlavná 1 | 058 01 Poprad
Tel. 052 7127-125 | Fax 052 7127-148
info@stiebel-eltron.sk
www.stiebel-eltron.sk

South Africa

STIEBEL ELTRON Southern Africa (PTY) Ltd
30 Archimedes Road
Wendywood
Johannesburg, 2090
Tel. +27 10 001 85 47
info@stiebel-eltron.co.za
www.stiebel-eltron.co.za

Switzerland

STIEBEL ELTRON AG
Industrie West
Gass 8 | 5242 Lupfig
Tel. 056 4640-500 | Fax 056 4640-501
info@stiebel-eltron.ch
www.stiebel-eltron.ch

Thailand

STIEBEL ELTRON Asia Ltd.
469 Moo 2 Tambol Klong-Jik
Amphur Bangpa-In | 13160 Ayutthaya
Tel. 035 220088 | Fax 035 221188
info@stiebeleltronasia.com
www.stiebeleltronasia.com

United Kingdom and Ireland

STIEBEL ELTRON UK Ltd.
Unit 12 Stadium Court
Stadium Road | CH62 3RP Bromborough
Tel. 0151 346-2300 | Fax 0151 334-2913
info@stiebel-eltron.co.uk
www.stiebel-eltron.co.uk

United States of America

STIEBEL ELTRON, Inc.
17 West Street | 01088 West Hatfield MA
Tel. 0413 247-3380 | Fax 0413 247-3369
info@stiebel-eltron-usa.com
www.stiebel-eltron-usa.com

STIEBEL ELTRON



Irrtum und technische Änderungen vorbehalten! | Subject to errors and technical changes! | Sous réserve d'erreurs et de modifications techniques! | Onder voorbehoud van vergissingen en technische wijzigingen! | Salvo error o modificación técnica! | Excepto erro ou alteração técnica | Zastrzeżone zmiany techniczne i ewentualne błędy | Omyly a technické změny jsou vyhrazeny! | A muszaki változtatások és tévedések jogát fenntartjuk! | Отсутствие ошибок не гарантируется. Возможны технические изменения. | Chyby a technické zmeny sú vyhradené!

Stand 9734